

# ***DAQ***

---

## **NI 6052E User Manual**

*Multifunction I/O Devices for  
PCI/PXI/1394 Bus Computers*

## **Worldwide Technical Support and Product Information**

ni.com

## **National Instruments Corporate Headquarters**

11500 North Mopac Expressway Austin, Texas 78759-3504 USA Tel: 512 683 0100

## **Worldwide Offices**

Australia 03 9879 5166, Austria 0662 45 79 90 0, Belgium 02 757 00 20, Brazil 011 3262 3599,  
Canada (Calgary) 403 274 9391, Canada (Montreal) 514 288 5722, Canada (Ottawa) 613 233 5949,  
Canada (Québec) 514 694 8521, Canada (Toronto) 905 785 0085, China 86 21 6555 7838,  
Czech Republic 02 2423 5774, Denmark 45 76 26 00, Finland 09 725 725 11, France 01 48 14 24 24,  
Germany 089 741 31 30, Greece 01 42 96 427, Hong Kong 2645 3186, India 91 80 4190000,  
Israel 03 6393737, Italy 02 413091, Japan 03 5472 2970, Korea 02 3451 3400, Malaysia 603 9596711,  
Mexico 001 800 010 0793, Netherlands 0348 433466, New Zealand 09 914 0488, Norway 32 27 73 00,  
Poland 22 3390 150, Portugal 210 311 210, Russia 095 238 7139, Singapore 65 6 226 5886,  
Slovenia 3 425 4200, South Africa 11 805 8197, Spain 91 640 0085, Sweden 08 587 895 00,  
Switzerland 056 200 51 51, Taiwan 02 2528 7227, United Kingdom 01635 523545

For further support information, see the *Technical Support and Professional Services* appendix. To comment on the documentation, send email to [techpubs@ni.com](mailto:techpubs@ni.com).

# Important Information

---

## Warranty

The DAQPad-6052E, NI PCI-6052E, and NI PXI-6052E are warranted against defects in materials and workmanship for a period of one year from the date of shipment, as evidenced by receipts or other documentation. National Instruments will, at its option, repair or replace equipment that proves to be defective during the warranty period. This warranty includes parts and labor.

The media on which you receive National Instruments software are warranted not to fail to execute programming instructions, due to defects in materials and workmanship, for a period of 90 days from date of shipment, as evidenced by receipts or other documentation. National Instruments will, at its option, repair or replace software media that do not execute programming instructions if National Instruments receives notice of such defects during the warranty period. National Instruments does not warrant that the operation of the software shall be uninterrupted or error free.

A Return Material Authorization (RMA) number must be obtained from the factory and clearly marked on the outside of the package before any equipment will be accepted for warranty work. National Instruments will pay the shipping costs of returning to the owner parts which are covered by warranty.

National Instruments believes that the information in this document is accurate. The document has been carefully reviewed for technical accuracy. In the event that technical or typographical errors exist, National Instruments reserves the right to make changes to subsequent editions of this document without prior notice to holders of this edition. The reader should consult National Instruments if errors are suspected. In no event shall National Instruments be liable for any damages arising out of or related to this document or the information contained in it.

EXCEPT AS SPECIFIED HEREIN, NATIONAL INSTRUMENTS MAKES NO WARRANTIES, EXPRESS OR IMPLIED, AND SPECIFICALLY DISCLAIMS ANY WARRANTY OF MERCHANTABILITY OR FITNESS FOR A PARTICULAR PURPOSE. CUSTOMER'S RIGHT TO RECOVER DAMAGES CAUSED BY FAULT OR NEGLIGENCE ON THE PART OF NATIONAL INSTRUMENTS SHALL BE LIMITED TO THE AMOUNT THEREOF PAID BY THE CUSTOMER. NATIONAL INSTRUMENTS WILL NOT BE LIABLE FOR DAMAGES RESULTING FROM LOSS OF DATA, PROFITS, USE OF PRODUCTS, OR INCIDENTAL OR CONSEQUENTIAL DAMAGES, EVEN IF ADVISED OF THE POSSIBILITY THEREOF. This limitation of the liability of National Instruments will apply regardless of the form of action, whether in contract or tort, including negligence. Any action against National Instruments must be brought within one year after the cause of action accrues. National Instruments shall not be liable for any delay in performance due to causes beyond its reasonable control. The warranty provided herein does not cover damages, defects, malfunctions, or service failures caused by owner's failure to follow the National Instruments installation, operation, or maintenance instructions; owner's modification of the product; owner's abuse, misuse, or negligent acts; and power failure or surges, fire, flood, accident, actions of third parties, or other events outside reasonable control.

## Copyright

Under the copyright laws, this publication may not be reproduced or transmitted in any form, electronic or mechanical, including photocopying, recording, storing in an information retrieval system, or translating, in whole or in part, without the prior written consent of National Instruments Corporation.

## Trademarks

CVI™, DAQPad™, DAQ-STC™, LabVIEW™, Measurement Studio™, MITE™, MXI™, National Instruments™, NI™, ni.com™, NI-DAQ™, RTSI™, and SCXI™ are trademarks of National Instruments Corporation.

FireWire is a trademark of Apple Computer, Inc. Other product and company names mentioned herein are trademarks or trade names of their respective companies.

## Patents

For patents covering National Instruments products, refer to the appropriate location: **Help»Patents** in your software, the `patents.txt` file on your CD, or [ni.com/patents](http://ni.com/patents).

## WARNING REGARDING USE OF NATIONAL INSTRUMENTS PRODUCTS

(1) NATIONAL INSTRUMENTS PRODUCTS ARE NOT DESIGNED WITH COMPONENTS AND TESTING FOR A LEVEL OF RELIABILITY SUITABLE FOR USE IN OR IN CONNECTION WITH SURGICAL IMPLANTS OR AS CRITICAL COMPONENTS IN ANY LIFE SUPPORT SYSTEMS WHOSE FAILURE TO PERFORM CAN REASONABLY BE EXPECTED TO CAUSE SIGNIFICANT INJURY TO A HUMAN.

(2) IN ANY APPLICATION, INCLUDING THE ABOVE, RELIABILITY OF OPERATION OF THE SOFTWARE PRODUCTS CAN BE IMPAIRED BY ADVERSE FACTORS, INCLUDING BUT NOT LIMITED TO FLUCTUATIONS IN ELECTRICAL POWER SUPPLY, COMPUTER HARDWARE MALFUNCTIONS, COMPUTER OPERATING SYSTEM SOFTWARE FITNESS, FITNESS OF COMPILERS AND DEVELOPMENT SOFTWARE USED TO DEVELOP AN APPLICATION, INSTALLATION ERRORS, SOFTWARE AND HARDWARE COMPATIBILITY PROBLEMS, MALFUNCTIONS OR FAILURES OF ELECTRONIC MONITORING OR CONTROL DEVICES, TRANSIENT FAILURES OF ELECTRONIC SYSTEMS (HARDWARE AND/OR SOFTWARE), UNANTICIPATED USES OR MISUSES, OR ERRORS ON THE PART OF THE USER OR APPLICATIONS DESIGNER (ADVERSE FACTORS SUCH AS THESE ARE HEREAFTER COLLECTIVELY TERMED "SYSTEM FAILURES"). ANY APPLICATION WHERE A SYSTEM FAILURE WOULD CREATE A RISK OF HARM TO PROPERTY OR PERSONS (INCLUDING THE RISK OF BODILY INJURY AND DEATH) SHOULD NOT BE RELIANT SOLELY UPON ONE FORM OF ELECTRONIC SYSTEM DUE TO THE RISK OF SYSTEM FAILURE. TO AVOID DAMAGE, INJURY, OR DEATH, THE USER OR APPLICATION DESIGNER MUST TAKE REASONABLY PRUDENT STEPS TO PROTECT AGAINST SYSTEM FAILURES, INCLUDING BUT NOT LIMITED TO BACK-UP OR SHUT DOWN MECHANISMS. BECAUSE EACH END-USER SYSTEM IS CUSTOMIZED AND DIFFERS FROM NATIONAL INSTRUMENTS' TESTING PLATFORMS AND BECAUSE A USER OR APPLICATION DESIGNER MAY USE NATIONAL INSTRUMENTS PRODUCTS IN COMBINATION WITH OTHER PRODUCTS IN A MANNER NOT EVALUATED OR CONTEMPLATED BY NATIONAL INSTRUMENTS, THE USER OR APPLICATION DESIGNER IS ULTIMATELY RESPONSIBLE FOR VERIFYING AND VALIDATING THE SUITABILITY OF NATIONAL INSTRUMENTS PRODUCTS WHENEVER NATIONAL INSTRUMENTS PRODUCTS ARE INCORPORATED IN A SYSTEM OR APPLICATION, INCLUDING, WITHOUT LIMITATION, THE APPROPRIATE DESIGN, PROCESS AND SAFETY LEVEL OF SUCH SYSTEM OR APPLICATION.

# Compliance

---

## FCC/Canada Radio Frequency Interference Compliance\*

### Determining FCC Class

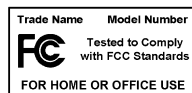
The Federal Communications Commission (FCC) has rules to protect wireless communications from interference. The FCC places digital electronics into two classes. These classes are known as Class A (for use in industrial-commercial locations only) or Class B (for use in residential or commercial locations). Depending on where it is operated, this product could be subject to restrictions in the FCC rules. (In Canada, the Department of Communications (DOC), of Industry Canada, regulates wireless interference in much the same way.)

Digital electronics emit weak signals during normal operation that can affect radio, television, or other wireless products. By examining the product you purchased, you can determine the FCC Class and therefore which of the two FCC/DOC Warnings apply in the following sections. (Some products may not be labeled at all for FCC; if so, the reader should then assume these are Class A devices.)

FCC Class A products only display a simple warning statement of one paragraph in length regarding interference and undesired operation. Most of our products are FCC Class A. The FCC rules have restrictions regarding the locations where FCC Class A products can be operated.

FCC Class B products display either a FCC ID code, starting with the letters **EXN**, or the FCC Class B compliance mark that appears as shown here on the right.

Consult the FCC Web site at [www.fcc.gov](http://www.fcc.gov) for more information.



### FCC/DOC Warnings

This equipment generates and uses radio frequency energy and, if not installed and used in strict accordance with the instructions in this manual and the CE Mark Declaration of Conformity\*\*, may cause interference to radio and television reception. Classification requirements are the same for the FCC and the Canadian DOC.

Changes or modifications not expressly approved by National Instruments could void the user's authority to operate the equipment under the FCC Rules.

### Class A

#### Federal Communications Commission

This equipment has been tested and found to comply with the limits for a Class A digital device, pursuant to part 15 of the FCC Rules. These limits are designed to provide reasonable protection against harmful interference when the equipment is operated in a commercial environment. This equipment generates, uses, and can radiate radio frequency energy and, if not installed and used in accordance with the instruction manual, may cause harmful interference to radio communications. Operation of this equipment in a residential area is likely to cause harmful interference in which case the user will be required to correct the interference at his own expense.

#### Canadian Department of Communications

This Class A digital apparatus meets all requirements of the Canadian Interference-Causing Equipment Regulations.

Cet appareil numérique de la classe A respecte toutes les exigences du Règlement sur le matériel brouilleur du Canada.

### Class B

#### Federal Communications Commission

This equipment has been tested and found to comply with the limits for a Class B digital device, pursuant to part 15 of the FCC Rules. These limits are designed to provide reasonable protection against harmful interference in a residential installation. This equipment generates, uses, and can radiate radio frequency energy and, if not installed and used in accordance with the instructions, may cause harmful interference to radio communications. However, there is no guarantee that interference will not occur in a particular installation. If this equipment does cause harmful interference to radio or television reception, which can be determined by turning the equipment off and on, the user is encouraged to try to correct the interference by one or more of the following measures:

- Reorient or relocate the receiving antenna.
- Increase the separation between the equipment and receiver.
- Connect the equipment into an outlet on a circuit different from that to which the receiver is connected.
- Consult the dealer or an experienced radio/TV technician for help.

## Canadian Department of Communications

This Class B digital apparatus meets all requirements of the Canadian Interference-Causing Equipment Regulations.

Cet appareil numérique de la classe B respecte toutes les exigences du Règlement sur le matériel brouilleur du Canada.

## Compliance to EU Directives

Readers in the European Union (EU) must refer to the Manufacturer's Declaration of Conformity (DoC) for information\*\* pertaining to the CE Mark compliance scheme. The Manufacturer includes a DoC for most every hardware product except for those bought for OEMs, if also available from an original manufacturer that also markets in the EU, or where compliance is not required as for electrically benign apparatus or cables.

To obtain the DoC for this product, click **Declaration of Conformity** at [ni.com/hardref.nsf/](http://ni.com/hardref.nsf/). This Web site lists the DoCs by product family. Select the appropriate product family, followed by your product, and a link to the DoC appears in Adobe Acrobat format. Click the Acrobat icon to download or read the DoC.

\* Certain exemptions may apply in the USA, see FCC Rules §15.103 **Exempted devices**, and §15.105(c). Also available in sections of CFR 47.

\*\* The CE Mark Declaration of Conformity will contain important supplementary information and instructions for the user or installer.

# Contents

---

## About This Manual

Conventions Used in This Manual.....	xi
Related Documentation.....	xii

## Chapter 1

### Introduction

About the NI 6052E.....	1-1
Using PXI with CompactPCI.....	1-3
What You Need to Get Started.....	1-4
Software Programming Choices.....	1-4
NI-DAQ.....	1-4
National Instruments ADE Software.....	1-5
Optional Equipment.....	1-6
Unpacking.....	1-6
Safety Information.....	1-7

## Chapter 2

### Installing and Configuring the NI 6052E

Installing the Software.....	2-1
Installing the Hardware.....	2-1
Configuring the NI 6052E.....	2-3

## Chapter 3

### Hardware Overview

Analog Input.....	3-2
Input Mode.....	3-3
Input Polarity and Input Range.....	3-3
Considerations for Selecting Input Ranges.....	3-4
Multiple-Channel Scanning Considerations.....	3-5
Analog Output.....	3-6
Analog Output Reference Selection.....	3-6
Analog Output Polarity Selection.....	3-6
Analog Output Reglitch.....	3-6
Analog Trigger.....	3-7
Digital I/O.....	3-10
Timing Signal Routing.....	3-10
Programmable Function Inputs.....	3-11

Device and RTSI Clocks .....	3-12
RTSI Triggers .....	3-13

## Chapter 4

### Connecting the Signals

I/O Connector .....	4-1
External Expansion Connector.....	4-6
Analog Input Signal Connections.....	4-8
Types of Signal Sources .....	4-10
Floating Signal Sources .....	4-10
Ground-Referenced Signal Sources .....	4-10
Input Configurations.....	4-11
Differential Connections (DIFF Input Mode).....	4-13
Differential Connections for Nonreferenced or Floating Signal Sources .....	4-14
Differential Connections for Ground-Referenced Signal Sources ...	4-16
Single-Ended Connection Considerations .....	4-17
Single-Ended Connections for Floating Signal Sources (RSE Configuration).....	4-18
Single-Ended Connections for Grounded Signal Sources (NRSE Configuration).....	4-18
Common-Mode Signal Rejection Considerations.....	4-19
Measuring More than Eight Channels with the DAQPad-6052E for BNC.....	4-19
Connecting Analog Output Signals .....	4-20
Connecting Digital I/O Signals .....	4-22
Power Connections .....	4-23
Connecting Timing Signals .....	4-24
Programmable Function Input Connections .....	4-25
Data Acquisition Timing Connections.....	4-26
TRIG1 Signal.....	4-27
TRIG2 Signal.....	4-28
STARTSCAN Signal.....	4-30
CONVERT* Signal .....	4-32
AIGATE Signal .....	4-33
SISOURCE Signal.....	4-33
SCANCLK Signal .....	4-34
EXTSTROBE* Signal .....	4-35
Waveform Generation Timing Connections .....	4-35
WFTRIG Signal.....	4-35
UPDATE* Signal .....	4-36
UISOURCE Signal .....	4-38

General-Purpose Timing Signal Connections .....	4-38
GPCTRO_SOURCE Signal .....	4-39
GPCTRO_GATE Signal .....	4-39
GPCTRO_OUT Signal .....	4-40
GPCTRO_UP_DOWN Signal .....	4-40
GPCTR1_SOURCE Signal .....	4-41
GPCTR1_GATE Signal .....	4-41
GPCTR1_OUT Signal .....	4-42
GPCTR1_UP_DOWN Signal .....	4-43
FREQ_OUT Signal .....	4-44
Field Wiring Considerations .....	4-44

## **Chapter 5**

### **Calibration**

Loading Calibration Constants .....	5-1
Self-Calibration .....	5-2
External Calibration .....	5-2
Other Considerations .....	5-3

## **Appendix A**

### **Specifications**

## **Appendix B**

### **Custom Cabling and Optional Connectors**

## **Appendix C**

### **Common Questions**

## **Appendix D**

### **Technical Support and Professional Services**

## **Glossary**

## **Index**



# About This Manual

---



This manual describes the electrical and mechanical aspects of the National Instruments PCI/PXI-6052E and the DAQPad-6052E and contains information about operation and programming.

The NI 6052E is a high-performance multifunction analog, digital, and timing I/O device for PCI, PXI, or 1394 bus computers. Supported functions include analog input (AI), analog output (AO), digital I/O (DIO), and timing I/O (TIO).

## Conventions Used in This Manual

---

The following conventions are used in this manual:

- <> Angle brackets that contain numbers separated by an ellipsis represent a range of values associated with a bit or signal name—for example, DIO<3..0>. Angle brackets can also denote a variable in a channel name—for example, ACH<*i*> and ACH<*i*+8>.
- » The » symbol leads you through nested menu items and dialog box options to a final action. The sequence **File»Page Setup»Options** directs you to pull down the **File** menu, select the **Page Setup** item, and select **Options** from the last dialog box.
- ◆ The ◆ symbol indicates that the following text applies only to a specific product, a specific operating system, or a specific software version.
-  This icon denotes a note, which alerts you to important information.
-  This icon denotes a caution, which advises you of precautions to take to avoid injury, data loss, or a system crash.
- 1394 1394 refers to a high-speed external bus that implements the IEEE 1394 serial bus protocol.
- bold** Bold text denotes items that you must select or click on in the software, such as menu items and dialog box options. Bold text also denotes parameter names and hardware labels.
- CompactPCI CompactPCI refers to the core specification defined by the PCI Industrial Computer Manufacturers Group (PICMG).

<i>italic</i>	Italic text denotes variables, emphasis, a cross reference, or an introduction to a key concept. This font also denotes text that is a placeholder for a word or value that you must supply.
monospace	Text in this font denotes text or characters that you should enter from the keyboard, sections of code, programming examples, and syntax examples. This font is also used for the proper names of disk drives, paths, directories, programs, subprograms, subroutines, device names, functions, operations, variables, filenames and extensions, and code excerpts.
NI 6052E	Refers to either the NI PCI-6052E, the NI PXI-6052E or the DAQPad-6052E, unless otherwise noted.
NI PCI/PXI-6052E	Refers to either the NI PCI-6052E or the NI PXI-6052E.

## Related Documentation

---

The following documents contain useful information related to the NI 6052E:

- *CompactPCI Specification, PICMG 2.0 R3.0*
- *DAQ-STC Technical Reference Manual*
- *DAQ Quick Start Guide*, located at [ni.com/manuals](http://ni.com/manuals)
- NI Developer Zone tutorial, *Field Wiring and Noise Considerations for Analog Signals*, located at [ni.com/zone](http://ni.com/zone)
- *NI-DAQ Function Reference Help*, which you can access by clicking **Start»Programs»National Instruments»NI-DAQ»NI-DAQ Help** if you have NI-DAQ 6.7 or later installed
- *NI-DAQ Function Reference Manual for PC Compatibles*, located at [ni.com/manuals](http://ni.com/manuals)
- *NI-DAQ User Manual for PC Compatibles*, located at [ni.com/manuals](http://ni.com/manuals)
- *PCI Local Bus Specification*, Revision 2.2
- *PXI Specification*, Revision 2.0

---

# Introduction

This chapter describes the NI 6052E, lists what you need to get started, describes optional software and equipment, and explains how to unpack the device.

## About the NI 6052E

---

Thank you for buying an NI 6052E. The device has the following features:

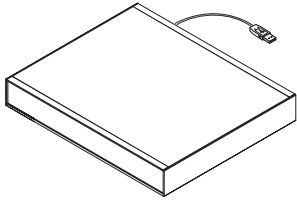
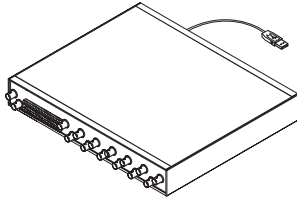
- Two 16-bit A/D converters (ADCs) with 16 analog inputs
- 16-bit D/A converters (DACs) with voltage outputs
- Eight lines of transistor-transistor logic (TTL)-compatible DIO
- Two 24-bit counter/timers for TIO

The NI PCI/PXI-6052E is a switchless, jumperless data acquisition (DAQ) device. This feature is made possible by the NI MXI Interface to Everything (MITE), which is a bus interface chip that connects the device to the PCI or PXI I/O bus. The MITE implements the PCI Local Bus Specification so that you can configure all the interrupts and base memory addresses with software. Because the device has no DIP switches, jumpers, or potentiometers, you can easily software configure and calibrate the device.

The DAQPad-6052E for 1394 is a high-performance, switchless, jumperless, hot-pluggable DAQ device. 1394 automatically handles the assignment of all host resources and allows you to install the device without powering off the computer. You can plug up to 64 National Instruments DAQ devices into a single computer using 1394, although you will run out of bus bandwidth if all devices operate at full rate. In addition, the DAQPad-6052E provides up to 250 V of DC functional isolation from the computer.

There are two versions of the DAQPad-6052E. Table 1-1 illustrates the different I/O connectivity and form factors of each version.

**Table 1-1.** DAQPad-6052E Models

Model	I/O Connector
DAQPad-6052E  	68-pin SCSI II male connector
DAQPad-6052E for BNC  	BNC and removable screw terminals

The NI 6052E uses the National Instruments DAQ system timing controller (DAQ-STC) for time-related functions. The DAQ-STC consists of three timing groups that control AI, AO, and general-purpose counter/timer (GPCTR) functions. These groups have a total of seven 24-bit and three 16-bit counters and a maximum timing resolution of 50 ns. The DAQ-STC makes possible applications such as buffered pulse generation, equivalent time sampling, and seamless sampling rate change.

The NI 6052E uses the Real-Time System Integration (RTSI) bus to synchronize multiple measurement functions to a common trigger or timing event. The RTSI bus consists of the RTSI bus interface and a cable, and it routes timing and trigger signals between several functions on as many as five DAQ devices in the computer.

SCXI is the NI instrumentation front end for plug-in DAQ devices. The NI 6052E interfaces to an SCXI system so that you can acquire over 3,000 analog signals from thermocouples, resistance temperature detectors

(RTDs), strain gauges, voltage sources, and current sources. You can also acquire or generate digital signals for communication and control.

Refer to Appendix A, *Specifications*, for specifications of the NI 6052E.

## Using PXI with CompactPCI

Using PXI-compatible products with standard CompactPCI products is an important feature provided by *PXI Specification*, Revision 2.0. If you use a PXI-compatible plug-in card in a standard CompactPCI chassis, you cannot use PXI-specific functions, but you can still use the basic plug-in card functions. For example, the RTSI bus on the NI PXI-6052E is available in a PXI chassis, but not in a CompactPCI chassis.

The CompactPCI specification permits vendors to develop sub-buses that coexist with the basic PCI interface on the CompactPCI bus. Compatible operation is not guaranteed between CompactPCI devices with different sub-buses nor between CompactPCI devices with sub-buses and PXI because the standard implementation for CompactPCI does not include these sub-buses. The NI PXI-6052E works in any standard CompactPCI chassis adhering to *CompactPCI Specifications, PICMG 2.0 R3.0*.

PXI-specific features are implemented on the J2 connector of the CompactPCI bus. Table 1-2 shows the J2 pins used by the NI PXI-6052E. The device is compatible with any CompactPCI chassis with a sub-bus that does not drive these lines. However, if the sub-bus is capable of driving these lines, the device is only compatible if those pins on the sub-bus are disabled by default and are never enabled. Damage can result if these lines are driven by the sub-bus.

**Table 1-2.** Pins Used by the NI PXI-6052E

NI PXI-6052E Signal	PXI Pin Name	PXI J2 Pin Number
RTSI<0..5>	PXI Trigger<0..5>	B16, A16, A17, A18, B18, C18
RTSI 6	PXI Star	D17
RTSI Clock	PXI Trigger 7	E16
Reserved	LBL<0..3>	C20, E20, A19, C19
Reserved	LBR<0..12>	A21, C21, D21, E21, A20, B20, E15, A3, C3, D3, E3, A2, B2

# What You Need to Get Started

---

To install and use the NI 6052E, you need the following items:

- One of the following devices:
  - NI PCI-6052E
  - NI PXI-6052E
  - DAQPad-6052E
- NI 6052E User Manual*
- NI-DAQ (PC compatibles and Mac OS<sup>1</sup>)
- Optional: One of the following software packages and documentation:
  - LabVIEW (PC compatibles and Mac OS<sup>1</sup>)
  - Measurement Studio (Windows)
- A computer

## Software Programming Choices

---

When programming your National Instruments DAQ hardware, you can use NI application development environment (ADE) software or other ADEs. In either case, you use NI-DAQ.

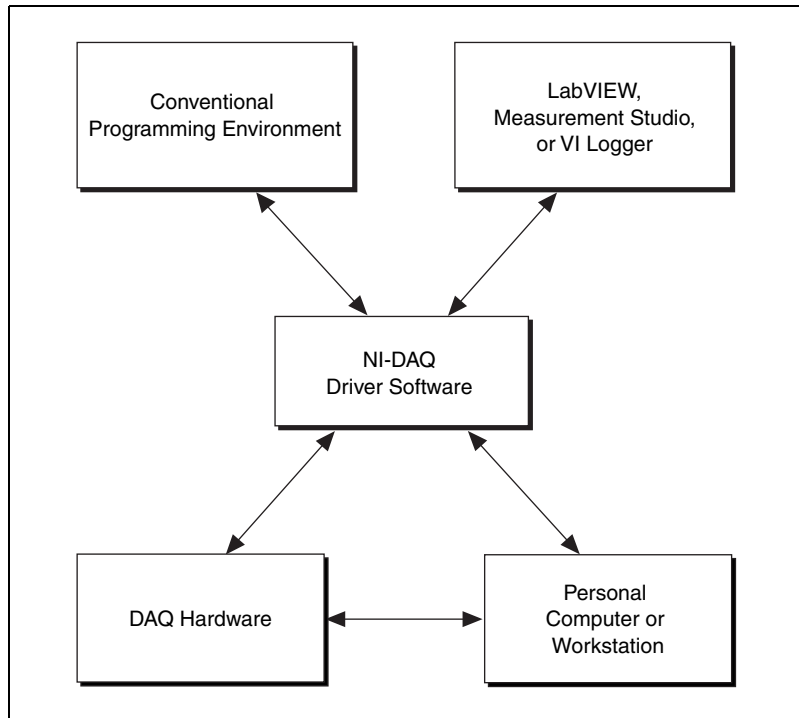
### NI-DAQ

NI-DAQ, which shipped with the NI 6052E, has an extensive library of functions that you can call from the ADE. These functions allow you to use all the features of the NI 6052E.

NI-DAQ carries out many of the complex interactions, such as programming interrupts, between the computer and the DAQ hardware. NI-DAQ maintains a consistent software interface among its different versions so that you can change platforms with minimal modifications to your code. Whether you use LabVIEW, Measurement Studio, VI Logger or other ADEs, your application uses NI-DAQ, as illustrated in Figure 1-1.

---

<sup>1</sup> NI-DAQ for Mac OS does *not* support the DAQPad-6052E for 1394.



**Figure 1-1.** The Relationship Among the Programming Environment, NI-DAQ, and the Hardware

To download a free copy of the most recent version of NI-DAQ, click **Download Software** at [ni.com](http://ni.com).

## National Instruments ADE Software

LabVIEW features interactive graphics, a state-of-the-art interface, and a powerful graphical programming language. The LabVIEW Data Acquisition VI Library, a series of virtual instruments for using LabVIEW with National Instruments DAQ hardware, is included with LabVIEW.

Measurement Studio, which includes LabWindows/CVI, tools for Visual C++, and tools for Visual Basic, is a development suite that allows you to use ANSI C, Visual C++, and Visual Basic to design your test and measurement software. For C developers, Measurement Studio includes LabWindows/CVI, a fully integrated ANSI C application development environment that features interactive graphics and the LabWindows/CVI Data Acquisition and Easy I/O libraries. For Visual Basic developers, Measurement Studio features a set of ActiveX controls for using National

Instruments DAQ hardware. These ActiveX controls provide a high-level programming interface for building virtual instruments. For Visual C++ developers, Measurement Studio offers a set of Visual C++ classes and tools to integrate those classes into Visual C++ applications. The libraries, ActiveX controls, and classes are available with Measurement Studio and NI-DAQ.

VI Logger is an easy-to-use yet flexible tool specifically designed for data logging applications. Using dialog windows, you can configure data logging tasks to easily acquire, log, view, and share your data. VI Logger does not require any programming; it is a stand-alone, configuration-based software.

Using LabVIEW, Measurement Studio, or VI Logger greatly reduces the development time for your data acquisition and control application.

## Optional Equipment

---

NI offers a variety of products to use with the NI 6052E, including the following items:

- Cables and cable assemblies, shielded and ribbon
- Connector blocks, shielded and unshielded 50- and 68-pin screw terminals
- RTSI bus cables
- SCXI modules and accessories for isolating, amplifying, exciting, and multiplexing signals for relays and analog output
- Low channel count signal conditioning modules, devices, and accessories, including conditioning for strain gauges and RTDs, simultaneous sample and hold, and relays

For specific information about these products, refer to [ni.com/catalog](http://ni.com/catalog).

## Unpacking

---

The NI 6052E ships in an antistatic package to prevent electrostatic damage to the device. Electrostatic discharge (ESD) can damage several components on the device.



**Caution** *Never* touch the exposed pins of connectors.



To avoid damage in handling the device, take the following precautions:

- Ground yourself using a grounding strap or by holding a grounded object.
- Touch the antistatic package to a metal part of the computer chassis before removing the device from the package.

Remove the device from the package and inspect the device for loose components or any sign of damage. Notify NI if the device appears damaged in any way. Do *not* install a damaged device into the computer.

Store the NI 6052E in the antistatic envelope when not in use.

## Safety Information

---

The following section contains important safety information that you *must* follow when installing and using the product.

Do *not* operate the product in a manner not specified in this document. Misuse of the product can result in a hazard. You can compromise the safety protection built into the product if the product is damaged in any way. If the product is damaged, return it to National Instruments for repair.

Do *not* substitute parts or modify the product except as described in this document. Use the product only with the chassis, modules, accessories, and cables specified in the installation instructions. You *must* have all covers and filler panels installed during operation of the product.

Do *not* operate the product in an explosive atmosphere or where there may be flammable gases or fumes. Operate the product only at or below the pollution degree stated in Appendix A, *Specifications*. Pollution is foreign matter in a solid, liquid, or gaseous state that can reduce dielectric strength or surface resistivity. The following is a description of pollution degrees:

- Pollution degree 1 means no pollution or only dry, nonconductive pollution occurs. The pollution has no influence.
- Pollution degree 2 means that only nonconductive pollution occurs in most cases. Occasionally, however, a temporary conductivity caused by condensation must be expected.
- Pollution degree 3 means that conductive pollution occurs, or dry, nonconductive pollution occurs that becomes conductive due to condensation.

Clean the product with a soft nonmetallic brush. Make sure that the product is completely dry and free from contaminants before returning it to service.

You *must* insulate signal connections for the maximum voltage for which the product is rated. Do *not* exceed the maximum ratings for the product. Remove power from signal lines before connecting them to or disconnecting them from the product.

Operate this product only at or below the installation category stated in Appendix A, *Specifications*.

The following is a description of installation categories:

- Installation Category I is for measurements performed on circuits not directly connected to MAINS<sup>1</sup>. This category is a signal level such as voltages on a printed wire board (PWB) on the secondary of an isolation transformer.

Examples of Installation Category I are measurements on circuits not derived from MAINS and specially protected (internal) MAINS-derived circuits.

- Installation Category II is for measurements performed on circuits directly connected to the low-voltage installation. This category refers to local-level distribution such as that provided by a standard wall outlet.

Examples of Installation Category II are measurements on household appliances, portable tools, and similar equipment.

- Installation Category III is for measurements performed in the building installation. This category is a distribution level referring to hardwired equipment that does not rely on standard building insulation.

Examples of Installation Category III include measurements on distribution circuits and circuit breakers. Other examples of Installation Category III are wiring including cables, bus-bars, junction boxes, switches, socket outlets in the building/fixed installation, and equipment for industrial use, such as stationary motors with a permanent connection to the building/fixed installation.

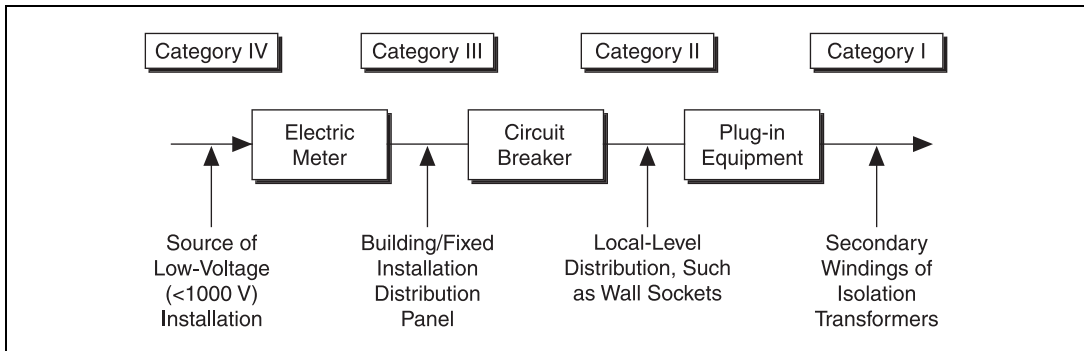
---

<sup>1</sup> MAINS is defined as the electricity supply system to which the equipment concerned is designed to be connected either for powering the equipment or for measurement purposes.

- Installation Category IV is for measurements performed at the source of the low-voltage (<1,000 V) installation.

Examples of Installation Category IV are electric meters, and measurements on primary overcurrent protection devices and ripple-control units.

Below is a diagram of a sample installation.



---

# Installing and Configuring the NI 6052E

This chapter explains how to install and configure the NI 6052E.

## Installing the Software

---

Complete the following steps to install the software before installing the NI 6052E.

1. Install the ADE, such as LabVIEW, Measurement Studio, or VI Logger, according to the instructions on the CD and the release notes.
2. Install NI-DAQ according to the instructions on the CD and the *DAQ Quick Start Guide* included with the device.



**Note** It is important to install NI-DAQ before installing the NI 6052E to ensure that the device is properly detected.

## Installing the Hardware

---

You can install the NI PCI/PXI-6052E in any available PCI system or 5 V PXI slot, respectively, in the computer. However, to achieve best noise performance, leave as much room as possible between the NI PCI/PXI-6052E and other devices. You can connect the DAQPad-6052E to any available 1394 port.

The following are general installation instructions. Consult the computer or chassis user manual or technical reference manual for specific instructions and warnings about installing new devices.



**Note** Follow the guidelines in the computer documentation for installing plug-in hardware.

◆ NI PCI-6052E

1. Power off and unplug the computer.
2. Remove the top cover of the computer.
3. Make sure there are no lighted LEDs on the motherboard. If any are lit, wait until they go out before continuing the installation.
4. Remove the expansion slot cover on the back panel of the computer.
5. Ground yourself using a grounding strap or by holding a grounded object. Follow the ESD protection precautions described in the [Unpacking](#) section of Chapter 1, [Introduction](#).
6. Insert the device into a PCI system slot. Gently rock the device to ease it into place. It can be a tight fit, but *do not force* the device into place.
7. If required, screw the mounting bracket of the NI PCI-6052E to the back panel rail of the computer.
8. Visually verify the installation by ensuring the device is not touching other devices or components and is fully inserted into the slot.
9. Replace the cover.
10. Plug in and power on the computer.

The NI PCI-6052E is now installed.

◆ NI PXI-6052E

1. Power off and unplug the computer.
2. Choose an unused PXI slot in the system. For maximum performance, the NI PXI-6052E has an onboard DMA controller, but you can only use this controller if the device is installed in a slot that supports bus arbitration or bus master cards. NI recommends installing the NI PXI-6052E in such a slot. The PXI specification requires all slots to support bus master cards, but the CompactPCI specification does not. If you install the device in a CompactPCI non-master slot, disable the NI PXI-6052E onboard DMA controller using the ADE.
3. Remove the filler panel for the slot that you chose.
4. Insert the NI PXI-6052E into a 5 V PXI slot. Use the injector/ejector handle to fully insert the device into the chassis.
5. Screw the front panel of the NI PXI-6052E to the front panel mounting rail of the system.
6. Plug in and power on the computer.

The NI PXI-6052E is now installed.

## ◆ DAQPad-6052E



**Note** If you are not using the BP-1 battery pack, follow the instructions below. If you are using the BP-1 battery pack, follow the installation instructions in the BP-1 installation guide and disregard step 1 below.

1. Connect the power cord to the wall outlet and to the DAQPad-6052E.
2. Connect the 1394 cable from the computer or any other 1394 device to the port on the DAQPad-6052E. The computer should immediately detect the DAQPad-6052E. When the computer recognizes the DAQPad-6052E, the LED labeled **COM** on the front panel blinks. Refer to the *Configuring the NI 6052E* section for information on LEDs.
3. Verify that the power LED is on. Refer to the *Configuring the NI 6052E* section for information on LEDs.
4. Configure the device and any accessories with NI-DAQ.

The DAQPad-6052E for 1394 is now installed.

You are now ready to configure the hardware and software.

## Configuring the NI 6052E

---

## ◆ NI PCI/PXI-6052E

The NI PCI/PXI-6052E is completely software configurable. You must perform two types of configuration on the NI PCI/PXI-6052E—bus-related and data acquisition-related configuration.

The NI PCI/PXI-6052E is fully compatible with the industry-standard *PCI Local Bus Specification*, Revision 2.2, and *PXI Specification*, Revision 2.0. This compatibility allows the PCI or PXI system to automatically perform all bus-related configurations, including setting the device base memory address and interrupt channel.

You can modify data acquisition-related configuration settings such as AI polarity, range, and mode through application-level software, such as NI-DAQ, LabVIEW, and Measurement Studio.

◆ DAQPad-6052E

The DAQPad-6052E is a completely software-configurable, Plug and Play instrument. The Plug and Play services query the instrument and allocate the required resources. The operating system enables the instrument for operation. Refer to the software documentation for more information about Plug and Play.

The DAQPad-6052E is equipped with two LEDs to help you determine the state of the device:

- Power LED
  - Off—No power is provided to the device. Either the power cord is unplugged, or the power source is broken.
  - Dim—The device is receiving power, but it is not connected to an active 1394 port.
  - On—The device is receiving power and is connected to an active 1394 port.
- Communications (COM) LED—The COM LED blinks when the device sends or receives commands or data. This LED should blink once when you first plug in the device. If you are transferring a large amount of data, this light should be on or blinking continually.

Refer to the software documentation for more information on how to configure the device.

## Hardware Overview

This chapter presents an overview of the hardware functions on the NI 6052E.

Figure 3-1 shows a block diagram for the NI PCI/PXI-6052E.

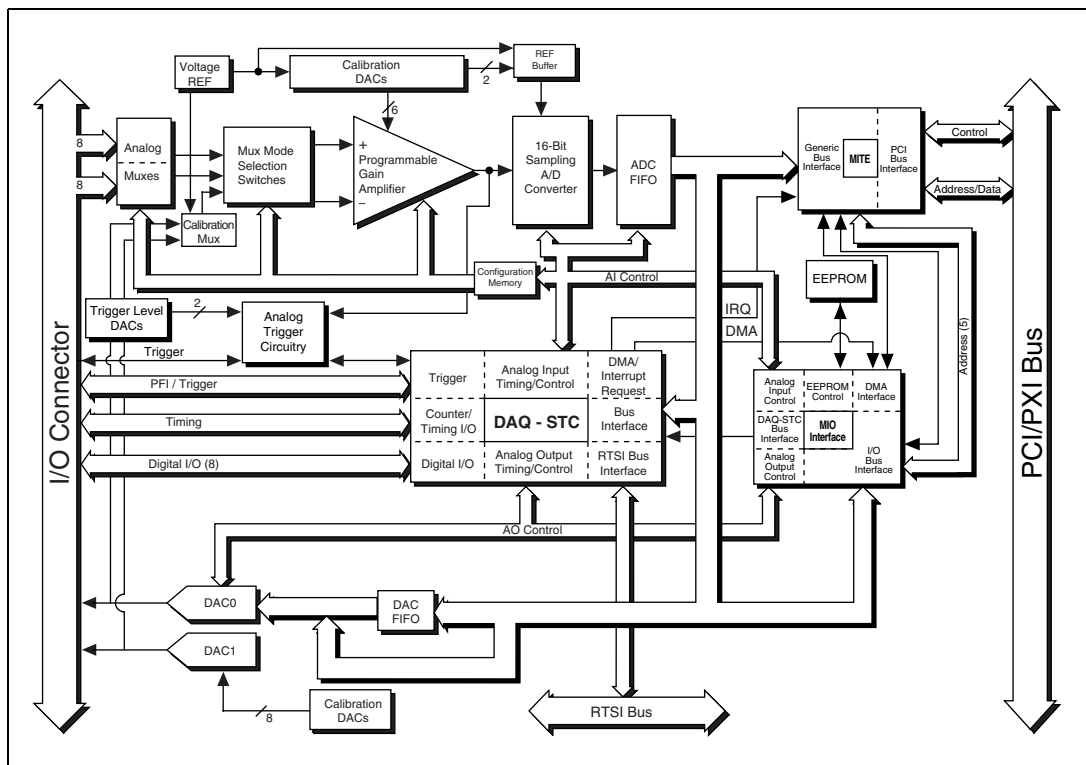


Figure 3-1. NI PCI/PXI-6052E Block Diagram



Figure 3-2 shows a block diagram for the DAQPad-6052E.

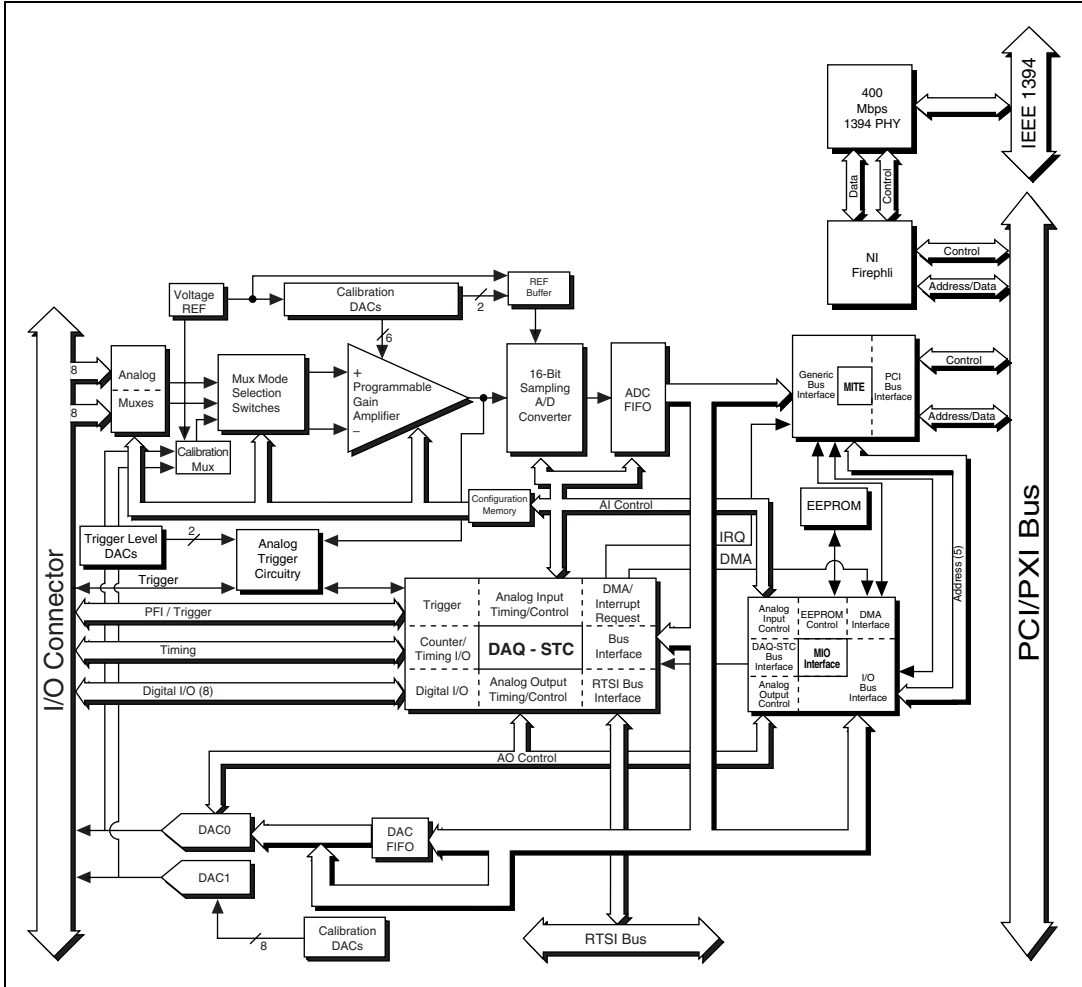


Figure 3-2. DAQPad-6052E Block Diagram

## Analog Input

The AI section of the NI 6052E is software configurable. You can select different AI configurations through application software designed to control the device. The following sections describe the types of AI configurations.

## Input Mode

The NI 6052E has three input modes—nonreferenced single-ended (NRSE) mode, referenced single-ended (RSE) input mode, and differential (DIFF) mode. The NRSE and RSE modes provide up to 16 channels on the NI 6052E. DIFF mode provides up to eight channels on the NI 6052E. Input modes are programmed on a per channel basis for multiple mode scanning. For example, you can configure the circuitry to scan 12 channels—four differentially-configured channels and eight single-ended channels. Table 3-1 describes the three input modes.

**Table 3-1.** Available Input Modes for the NI 6052E

Configuration	Description
NRSE	A channel configured in NRSE mode uses one AI line that connects to the positive input of the programmable gain instrumentation amplifier (PGIA). The negative input of the PGIA connects to AI sense (AISENSE).
RSE	A channel configured in RSE mode uses one AI line that connects to the positive input of the PGIA. The negative input of the PGIA is internally connected to AI ground (AIGND).
DIFF	A channel configured in DIFF mode uses two AI lines. One line connects to the positive input of the device PGIA, and the other connects to the negative input of the PGIA.

For more information about the three input modes, refer to the [Analog Input Signal Connections](#) section of Chapter 4, [Connecting the Signals](#), which contains signal-path diagrams for the three modes.

## Input Polarity and Input Range

The NI 6052E has two input polarities—unipolar and bipolar. Unipolar input polarity means that the input voltage range is between 0 and  $V_{\text{ref}}$ , where  $V_{\text{ref}}$  is a positive reference voltage. Bipolar input polarity means that the input voltage range is between  $-V_{\text{ref}}/2$  and  $+V_{\text{ref}}/2$ . The device has a unipolar input range of 10 V (0 to 10 V) and a bipolar input range of 10 V ( $\pm 5$  V).

You can program polarity and range settings a per channel basis so that you can uniquely configure each input channel.

The software-programmable gains on the NI 6052E increase the overall flexibility of the device by matching the input signal ranges to those that the ADC can accommodate. Each device has gains of 0.5, 1, 2, 5, 10, 20, 50, and 100 and is suited for a wide variety of signal levels. With the proper gain setting, you can use the full resolution of the ADC to measure the input signal. Table 3-2 shows the overall input range and precision according to the input-range configuration and gain used.

**Table 3-2.** Actual Range and Measurement Precision

Range Configuration	Gain	Actual Input Range	Precision <sup>1</sup>
0 to +10 V	1.0	0 to +10 V	153 $\mu$ V
	2.0	0 to +5 V	76.3 $\mu$ V
	5.0	0 to +2 V	30.5 $\mu$ V
	10.0	0 to +1 V	15.3 $\mu$ V
	20.0	0 to +500 mV	7.63 $\mu$ V
	50.0	0 to +200 mV	3.05 $\mu$ V
	100.0	0 to +100 mV	1.53 $\mu$ V
–5 to +5 V	0.5	–10 to +10 V	305 $\mu$ V
	1.0	–5 to +5 V	153 $\mu$ V
	2.0	–2.5 to +2.5 V	76.3 $\mu$ V
	5.0	–1 to +1 V	30.5 $\mu$ V
	10.0	–500 to +500 mV	15.6 $\mu$ V
	20.0	–250 to +250 mV	7.63 $\mu$ V
	50.0	–100 to +100 mV	3.05 $\mu$ V
	100.0	–50 to +50 mV	1.53 $\mu$ V
<sup>1</sup> The value of 1 least significant bit (LSB) of the 16-bit ADC; that is, the voltage increment corresponding to a change of one count in the ADC 16-bit count. <b>Note:</b> Refer to Appendix A, <i>Specifications</i> , for absolute maximum ratings.			

## Considerations for Selecting Input Ranges

The input polarity and range you select depends on the expected range of the incoming signal. A large input range can accommodate a large signal variation, but reduces the voltage resolution. Choosing a smaller input range improves the voltage resolution, but can result in the input signal going out of range. For best results, match the input range as closely as possible to the expected range of the input signal. For example, if you are certain the input signal is not below 0 V, use unipolar input polarity. If the signal is negative, however, using unipolar input polarity gives inaccurate readings.

## Multiple-Channel Scanning Considerations

The NI 6052E can sample multiple channels at the same maximum rate as the single-channel rate; however, pay careful attention to the *settling time*. Settling time is the time required for an amplifier, relays, or other circuits to reach a stable mode of operation. The settling time is independent of the selected gain, even at the maximum sampling rate. The settling time for high-speed devices is gain dependent, which can affect the useful sampling rate for a given gain. However, as long as the gain is constant and source impedances are low, no extra settling time is necessary between channels. Refer to Appendix A, *Specifications*, for a complete list of settling times.

Settling times can increase when scanning channels with various gains. When the PGIA switches to a higher gain, the signal on the previous channel can be well outside the new, smaller range. For example, suppose a 4 V signal is connected to channel 0 and a 1 mV signal is connected to channel 1, and the PGIA is programmed to apply a gain of 1 to channel 0 and a gain of 100 to channel 1. When the multiplexer switches to channel 1 and the PGIA switches to a gain of 100, the new full-scale range is 100 mV if the ADC is in unipolar mode. The 4 V step from 4 V to 1 mV is 4,000% of the new full-scale range. For a 16-bit device to settle within 0.0015% (15 ppm or 1 LSB) of the full-scale range on channel 1, the input circuitry must settle within 0.00004% (0.4 ppm or 1/400 LSB) of the 4 V step. The circuitry can take up to 200  $\mu$ s to settle this much. In general, this extra settling time is unneeded when the PGIA switches to a lower gain.

A phenomenon called *charge injection*, in which the AI multiplexer injects a small amount of charge into each signal source when that source is selected, can cause settling times to increase when scanning high-impedance signals. If the impedance of the source is too high, the effect of the charge—a voltage error—has not decayed by the time the ADC samples the signal. For this reason, keep source impedances under 1 k $\Omega$  to perform high-speed scanning.

Multiple-channel scanning is not recommended unless sampling rates are low or you must sample several signals almost simultaneously. The data is more accurate and channel-to-channel independent if you independently acquire data from each channel (for example, 100 points from channel 0, then 100 points from channel 1, then 100 points from channel 2, and so on).

# Analog Output

---

The NI 6052E supplies two channels of AO voltage at the I/O connector. The reference and range for the AO circuitry is software configurable. The reference can be either internal or external, and the range can be either bipolar or unipolar.

## Analog Output Reference Selection

You can connect each DAC to an internal reference of 10 V or to the external reference signal connected to the EXTREF pin on the I/O connector. The signal applied to EXTREF should be within  $\pm 11$  V. You do not need to configure both channels to use the same reference.

## Analog Output Polarity Selection

You can configure each AO channel for either unipolar or bipolar output. A unipolar configuration has a range of 0 to  $V_{\text{ref}}$  at the analog output. A bipolar configuration has a range of  $-V_{\text{ref}}$  to  $+V_{\text{ref}}$  at the analog output.  $V_{\text{ref}}$  is the voltage reference used by the DACs in the AO circuitry and can be either the +10 V onboard reference or an externally supplied reference within  $\pm 11$  V. You do not need to configure both channels for the same range.

Selecting a bipolar range for a particular DAC means that any data written to that DAC are interpreted in two's-complement mode. In two's-complement mode, data written to the AO channel can be positive or negative. If you select unipolar range, data values are interpreted in straight binary mode. In straight binary mode, data written to the AO channel range must be positive.

## Analog Output Reglitch

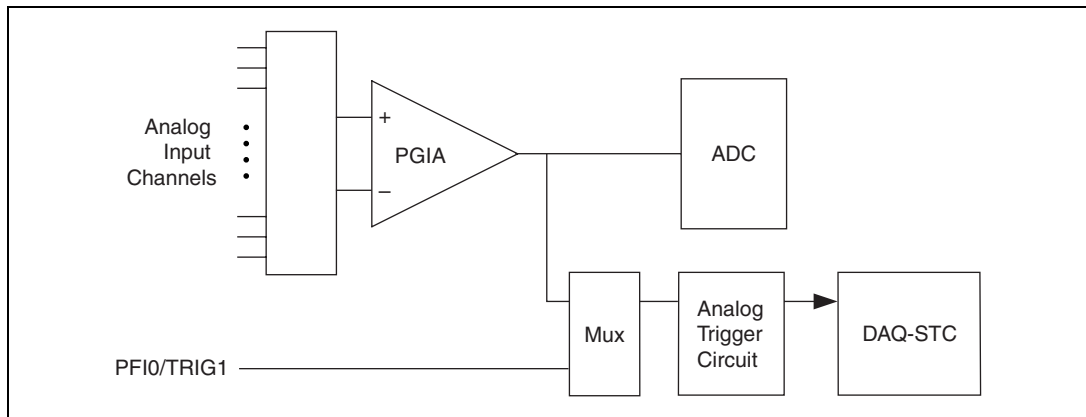
In normal operation, a DAC output glitches when it is updated with a new value. The glitch energy differs from code to code and appears as distortion in the frequency spectrum. Each analog output contains a reglitch circuit that generates uniform glitch energy at every code rather than large glitches at major code transitions. This uniform glitch energy appears as a multiple of the update rate in the frequency spectrum. This reglitch circuit does *not* eliminate the glitches; it only makes them more uniform in size.

# Analog Trigger

In addition to supporting internal software triggering and external digital triggering to initiate a DAQ sequence, the NI 6052E also supports analog triggering. You can configure the analog trigger circuitry to accept either a direct analog input from the PFI0/TRIG1 pin on the I/O connector or a postgain signal from the output of the PGIA, as shown in Figure 3-3. The trigger-level range for the direct analog channel is in 4.9 mV steps. The range for the post-PGIA trigger selection is the full-scale range of the selected channel. The resolution is that range divided by 4,096.



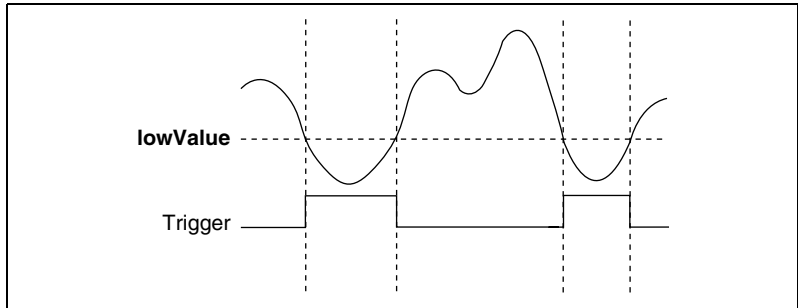
**Note** The PFI0/TRIG1 pin is an analog input when configured as an analog trigger. Therefore, it is susceptible to crosstalk from adjacent pins, resulting in false triggering when the pin is unconnected. To avoid false triggering, ensure that this pin connects to a low-impedance signal source (less than 1 k $\Omega$  source impedance) if you plan to enable this input using the application software.



**Figure 3-3.** Analog Trigger Block Diagram

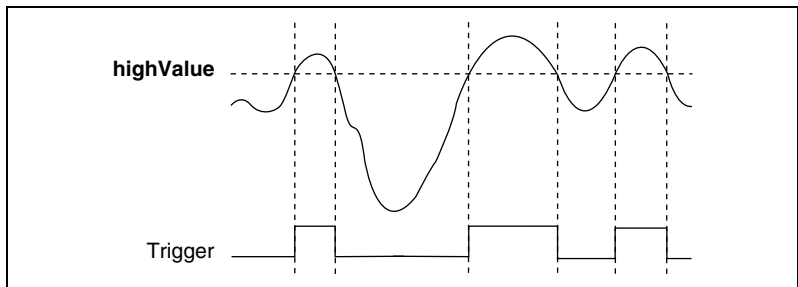
Five analog triggering modes are available, as shown in Figures 3-4 to 3-8. You can independently set **lowValue** and **highValue** in your ADE.

In below-low-level analog triggering mode, the trigger is generated when the signal value is less than **lowValue**. **HighValue** is not used.



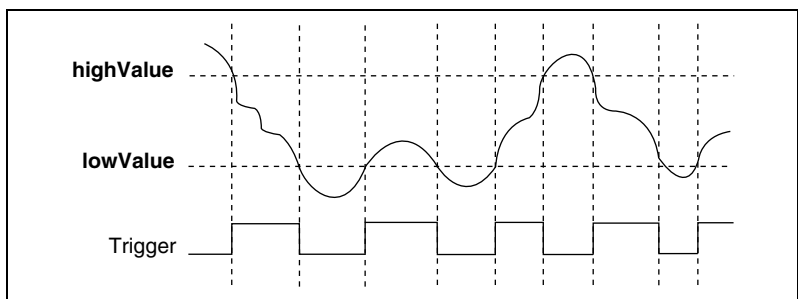
**Figure 3-4.** Below-Low-Level Analog Triggering Mode

In above-high-level analog triggering mode, the trigger is generated when the signal value is greater than **highValue**. **LowValue** is not used.



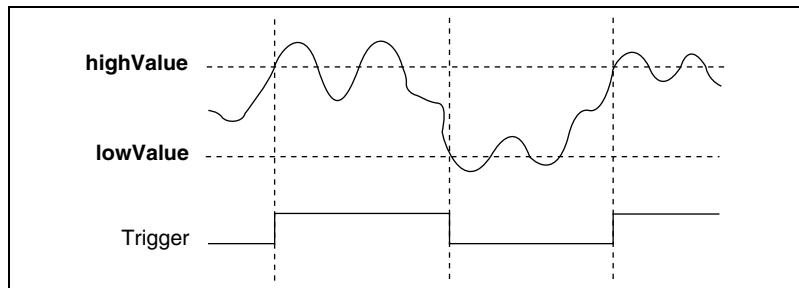
**Figure 3-5.** Above-High-Level Analog Triggering Mode

In inside-region analog triggering mode, the trigger is generated when the signal value is between the **lowValue** and the **highValue**.



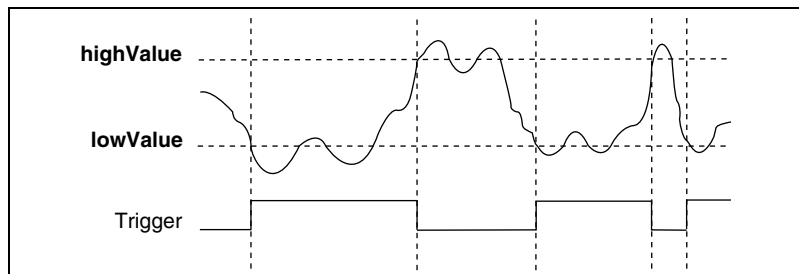
**Figure 3-6.** Inside-Region Analog Triggering Mode

In high-hysteresis analog triggering mode, the trigger is generated when the signal value is greater than **highValue**, with the hysteresis specified by **lowValue**.



**Figure 3-7.** High-Hysteresis Analog Triggering Mode

In low-hysteresis analog triggering mode, the trigger is generated when the signal value is less than **lowValue**, with the hysteresis specified by **highValue**.



**Figure 3-8.** Low-Hysteresis Analog Triggering Mode

The analog trigger circuit generates an internal digital trigger based on the AI signal and the user-defined trigger levels. Any of the three timing sections of the DAQ-STC can use this digital trigger. For example, you can configure the AI section to acquire  $n$  scans after the AI signal crosses a specific threshold. You can configure the AO section to update its outputs whenever the AI signal crosses a specific threshold.



## Digital I/O

---

The NI 6052E contains eight lines of DIO for general-purpose use. Each line is software programmable for either input or output. At system startup and reset, the DIO ports are all high-impedance.

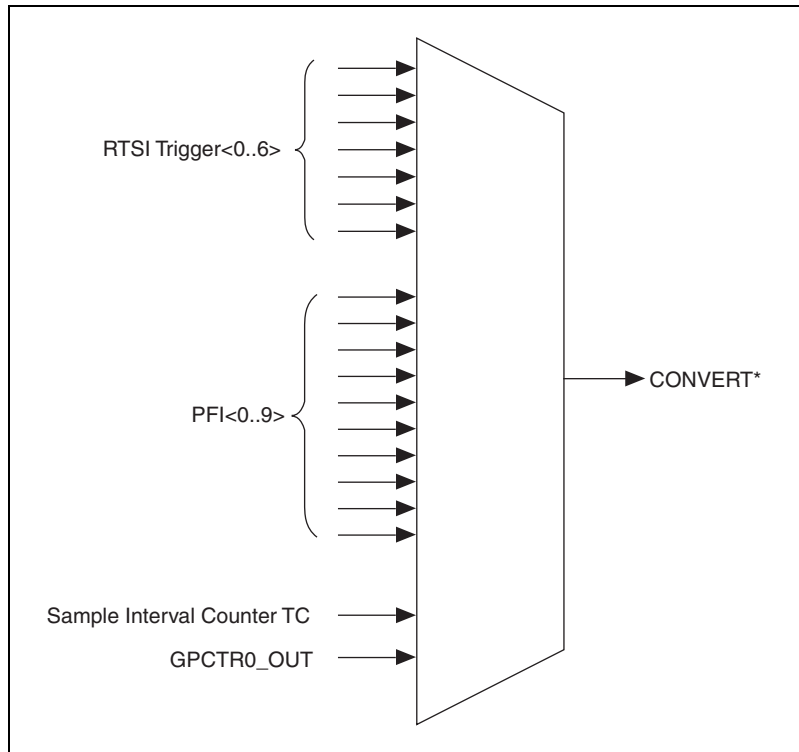
The hardware up/down control for general-purpose counters 0 and 1 are connected onboard to DIO6 and DIO7, respectively. Thus, you can use DIO6 and DIO7 to control the counters. The up/down control signals, GPCTR0\_UP\_DOWN and GPCTR1\_UP\_DOWN, are input-only and do not affect the operation of the DIO lines.

## Timing Signal Routing

---

The DAQ-STC provides a flexible interface for connecting timing signals to other devices or external circuitry. The NI 6052E uses the RTSI bus to interconnect timing signals between devices and the programmable function input (PFI) pins on the I/O connector to connect the device to external circuitry. These connections are designed to enable the device to both control and be controlled by other devices and circuits.

The DAQ-STC has 13 internal timing signals you can control by an external source. These timing signals can also be controlled by signals internally generated to the DAQ-STC, and these selections are software configurable. Figure 3-9 shows an example of the signal routing multiplexer controlling the CONVERT\* signal.



**Figure 3-9.** CONVERT\* Signal Routing

Figure 3-9 shows that CONVERT\* can be generated from a number of sources, including the external signals RTSI<0..6> and PFI<0..9> and the internal signals sample interval (SI2) counter TC and GPCTR0\_OUT.

Many of these timing signals are also available as outputs on the RTSI pins, as indicated in the *RTSI Triggers* section, and on the PFI pins, as explained in Chapter 4, *Connecting the Signals*.

## Programmable Function Inputs

Ten PFI signals connect to the signal routing multiplexer for each timing signal, and software can select any PFI pin as the external source for a given timing signal. Any timing signal can use any PFI pin as an input, and multiple timing signals can simultaneously use the same PFI. This flexible routing scheme reduces the need to change physical connections to the I/O connector for different applications. You can individually enable each PFI pin to output a specific internal timing signal. For example, if you need the

UPDATE\* signal as an output on the I/O connector, the software can turn on the output driver for the PFI5/UPDATE\* pin.

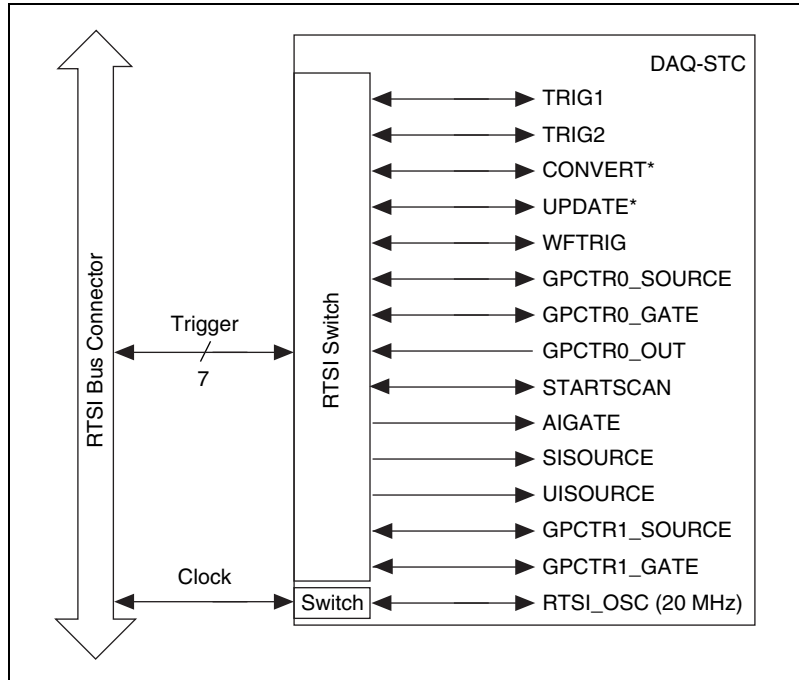
## Device and RTSI Clocks

Many functions performed by the NI 6052E require a frequency timebase to generate the necessary timing signals for controlling A/D conversions, DAC updates, or general-purpose signals at the I/O connector.

The NI 6052E can use either its internal 20 MHz timebase or a timebase received over the RTSI bus on the RTSI clock line. This timebase is software configurable. If you configure the device to use the internal timebase, you can program the device to drive its internal timebase over the RTSI bus to another device programmed to receive this timebase signal. This clock source, whether local or from the RTSI bus, is used directly by the device as the primary frequency source. The default configuration is to use the internal timebase without driving the RTSI bus timebase signal. The NI PCI-6052E has separate connectors for the RTSI bus. The NI PXI-6052E uses signals on the PXI backplane for the RTSI Clock. The RTSI Clock signal uses the PXI trigger<7> line for this connection.

## RTSI Triggers

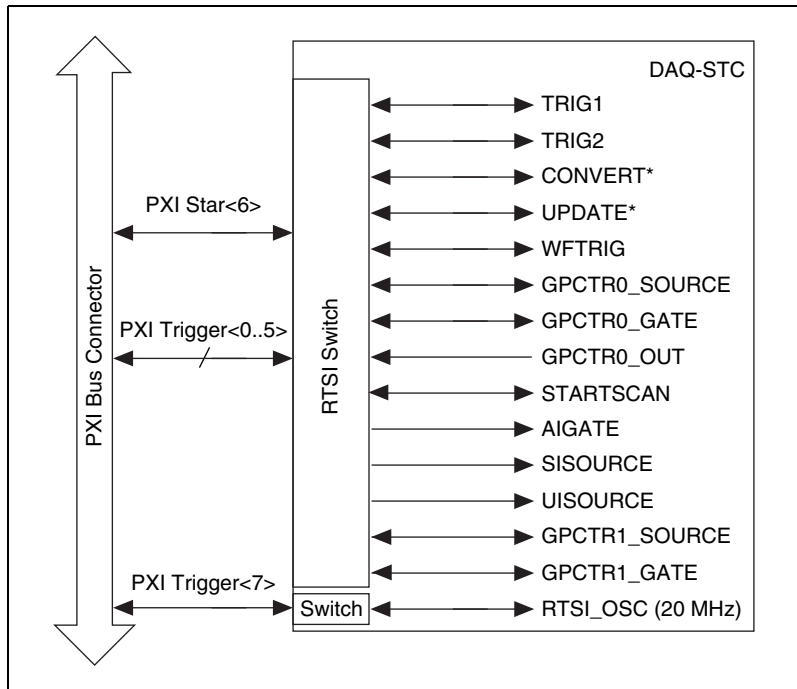
The RTSI trigger lines on the RTSI bus provide a flexible interconnection scheme for any NI 6052E that shares the RTSI bus. The NI PCI-6052E has seven trigger lines. These bidirectional lines can drive any of eight timing signals onto the RTSI bus and can receive any of these timing signals. Figure 3-10 shows the PCI signal connection scheme.



**Figure 3-10.** NI PCI-6052E RTSI Bus Signal Connection

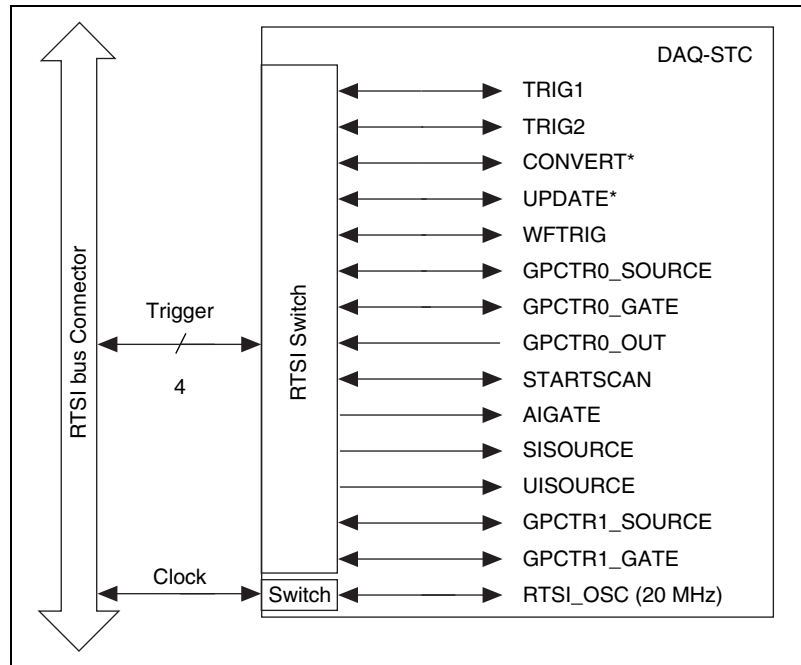
In PCI, users have access to all seven RTSI lines (RTSI<0..6>) through the RTSI cable. For the NI PXI-6052E, RTSI <0..5> connects to PXI Trigger<0..5>, respectively, through the NI PXI-6052E backplane. In PXI, RTSI<6> connects to PXI Star Trigger line, allowing the NI PXI-6052E to receive triggers from any Star Trigger controller plugged into slot 2 of the chassis. For more information on the Star Trigger, refer to the *PXI Specification*, Revision 2.0.

Figure 3-11 shows this signal connection scheme.



**Figure 3-11.** NI PXI-6052E RTSI Bus Signal Connection

The four RTSI trigger lines on the RTSI bus provide a flexible interconnection scheme for any DAQPad-6052E sharing the RTSI bus. The DAQPad-6052E has four trigger lines. These bidirectional lines can drive any of eight timing signals onto the RTSI bus and can receive any of these timing signals. This signal connection scheme is shown in Figure 3-12.



**Figure 3-12.** NI DAQPad-6052E RTSI Bus Signal Connection

Refer to the [Connecting Timing Signals](#) section of Chapter 4, [Connecting the Signals](#), for a description of the signals shown in Figures 3-10, 3-11, and 3-12.

# Connecting the Signals

This chapter describes how to make input and output signal connections to the device using the device I/O connector.

**Table 4-1.** I/O Connector Details

Device with I/O Connector	Number of Pins	Cable for Connecting to 100-pin Accessories	Cable for Connecting to 68-pin Accessories	Cable for Connecting to 50-pin Signal Accessories
NI PCI-6052E NI PXI-6052E	68	N/A	SH6868 Shielded Cable, R6868 Ribbon Cable	SH6850 Shielded Cable, R6850 Ribbon Cable

## I/O Connector

The DAQPad-6052E with BNCs provides easy-to-use user I/O directly on the front of the box. Analog input, analog output, CTR0 Out, PFI0, and External Reference are accessible through BNCs. You can use USER 1 and USER 2 to convert a signal on a BNC cable to a signal wire on the connector block. This conversion makes connecting a BNC cable to a PFI/Trigger pin easier. The rest of the signals are accessible through a removable screw terminal block. Extra removable terminal blocks are available.

Besides the standard I/O connections, both versions of the DAQPad-6052E have RTSI and an analog expansion bus for connecting to SCXI.

Figure 4-1 shows the pin assignments for the 68-pin I/O connector.

Refer to Appendix B, *Custom Cabling and Optional Connectors*, for the pin assignments of the 50-pin connector. Refer to Table 4-2 for signal descriptions.

ACH8	34	68	ACH0
ACH1	33	67	AIGND
AIGND	32	66	ACH9
ACH10	31	65	ACH2
ACH3	30	64	AIGND
AIGND	29	63	ACH11
ACH4	28	62	AISENSE
AIGND	27	61	ACH12
ACH13	26	60	ACH5
ACH6	25	59	AIGND
AIGND	24	58	ACH14
ACH15	23	57	ACH7
DAC0OUT	22	56	AIGND
DAC1OUT	21	55	AOGND
EXTREF	20	54	AOGND
DIO4	19	53	DGND
DGND	18	52	DIO0
DIO1	17	51	DIO5
DIO6	16	50	DGND
DGND	15	49	DIO2
+5V	14	48	DIO7
DGND	13	47	DIO3
DGND	12	46	SCANCLK
PFI0/TRIG1	11	45	EXTSTROBE*
PFI1/TRIG2	10	44	DGND
DGND	9	43	PFI2/CONVERT*
+5V	8	42	PFI3/GPCTR1_SOURCE
DGND	7	41	PFI4/GPCTR1_GATE
PFI5/UPDATE*	6	40	GPCTR1_OUT
PFI6/WFTRIG	5	39	DGND
DGND	4	38	PFI7/STARTSCAN
PFI9/GPCTR0_GATE	3	37	PFI8/GPCTR0_SOURCE
GPCTR0_OUT	2	36	DGND
FREQ_OUT	1	35	DGND

**Figure 4-1.** I/O Connector Pin Assignment for the NI 6052E

Figure 4-2 shows the pin assignments for the front panel I/O connections on the DAQPad-6052E with BNCs. Refer to Table 4-2 for signal descriptions.



PFI 9	2	1	DIO 7
PFI 8	4	3	DIO 6
PFI 7	6	5	DIO 5
PFI 6	8	7	DIO 4
PFI 5	10	9	DIO 3
PFI 4	12	11	DIO 2
PFI 3	14	13	DIO 1
PFI 2	16	15	DIO 0
PFI 1	18	17	CTR 1 OUT
DGND	20	19	DGND
USER 2	22	21	USER 1
FRQ OUT	24	23	SCAN CLK
+5 V	26	25	EXT STRB
+5 V	28	27	AISENSE
DGND	30	29	AIGND

**Figure 4-2.** I/O Connector Pin Assignment for the NI DAQPad-6052E with BNCs

Table 4-2 lists the signal names, gives the signal references and directions, and describes all the signals for the NI 6052E.

**Table 4-2.** I/O Connector Signal Descriptions

Signal Name	Reference	Direction	Description
AIGND	—	—	Analog Input Ground—These pins serve as the reference point for single-ended measurements in RSE configuration and the bias current return point for differential measurements. All three ground references—AIGND, AOGND, and DGND—are connected on the device.
ACH<0..15>	AIGND	Input	Analog Input Channels 0 through 15—You can configure each channel pair, ACH < <i>i</i> , <i>i</i> + 8> ( <i>i</i> = 0..7), as either one differential input or two single-ended inputs.
ACH<16..63>	AIGND	Input	Analog Input Channels 16 through 63 (NI 6053E only)—You can configure each channel pair, ACH < <i>i</i> , <i>i</i> + 8> ( <i>i</i> = 16..23, 32..39, 48..55) as either one differential input or two single-ended inputs.
AISENSE	AIGND	Input	Analog Input Sense—This pin serves as the reference node for any of channels ACH <0..15> in NRSE configuration.
DAC0OUT	AOGND	Output	Analog Channel 0 Output—This pin supplies the voltage output of AO channel 0.
DAC1OUT	AOGND	Output	Analog Channel 1 Output—This pin supplies the voltage output of AO channel 1.

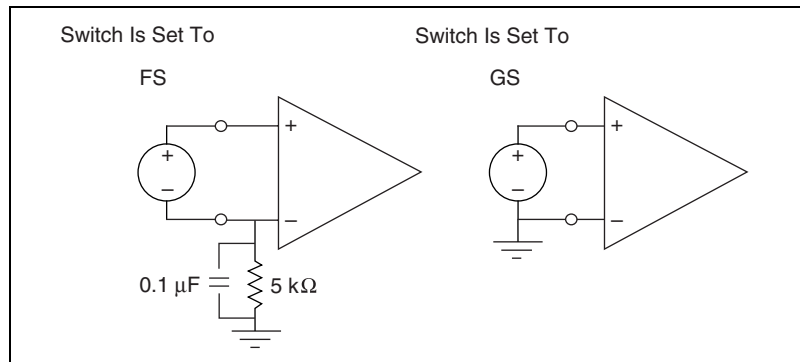
**Table 4-2.** I/O Connector Signal Descriptions (Continued)

Signal Name	Reference	Direction	Description
EXTREF	AOGND	Input	External Reference—This input is the external reference input for the AO circuitry.
AOGND	—	—	Analog Output Ground—This node serves as the reference for AO voltages. All three ground references—AIGND, AOGND, and DGND—are connected on the NI 6052E.
DGND	—	—	Digital Ground—This pin supplies the reference for the digital signals at the I/O connector and the +5 VDC supply. All three ground references—AIGND, AOGND, and DGND—are connected on the NI 6052E.
DIO<0..7>	DGND	Input or Output	Digital I/O Signals—DIO 6 and 7 can control the up/down signal of general-purpose counters 0 and 1, respectively.
+5V	DGND	Output	+5 VDC Source—These pins are fused for up to 1 A of +5 V supply. The fuse is self-resetting.
SCANCLK	DGND	Output	Scan Clock—This pin pulses once for each A/D conversion in the scanning modes when enabled. The low-to-high edge indicates when the input signal can be removed from the input or switched to another signal.
EXTSTROBE*	DGND	Output	External Strobe—This output can be toggled under software control to latch signals or trigger events on external devices.
PFI0/TRIG1	DGND	Input	PFI0/Trigger 1—As an input, this is either a PFI or the source for the hardware analog trigger. PFI signals are explained in the <a href="#">Connecting Timing Signals</a> section. The hardware analog trigger is explained in the <a href="#">Analog Trigger</a> section of Chapter 3, <a href="#">Hardware Overview</a> .
		Output	As an output, this is the TRIG1 signal. In posttrigger DAQ sequences, a low-to-high transition indicates the initiation of the acquisition. In pretrigger applications, a low-to-high transition indicates the initiation of the pretrigger conversions.
PFI1/TRIG2	DGND	Input	PFI1/Trigger 2—As an input, this is a PFI.
		Output	As an output, this is the TRIG2 signal. In pretrigger applications, a low-to-high transition indicates the initiation of the posttrigger conversions. TRIG2 is not used in posttrigger applications.
PFI2/CONVERT*	DGND	Input	PFI2/Convert—As an input, this is a PFI.
		Output	As an output, this is the CONVERT* signal. A high-to-low edge on CONVERT* indicates that an A/D conversion is occurring.

**Table 4-2.** I/O Connector Signal Descriptions (Continued)

Signal Name	Reference	Direction	Description
PFI3/GPCTR1_SOURCE	DGND	Input Output	PFI3/Counter 1 Source—As an input, this is a PFI.  As an output, this is the GPCTR1_SOURCE signal. This signal reflects the actual source connected to the general-purpose counter 1.
PFI4/GPCTR1_GATE	DGND	Input Output	PFI4/Counter 1 Gate—As an input, this is a PFI.  As an output, this is the GPCTR1_GATE signal. This signal reflects the actual gate signal connected to the general-purpose counter 1.
GPCTR1_OUT	DGND	Output	Counter 1 Output—This output is from the general-purpose counter 1 output.
PFI5/UPDATE*	DGND	Input Output	PFI5/Update—As an input, this is a PFI.  As an output, this is the UPDATE* signal. A high-to-low edge on UPDATE* indicates that the AO primary group is being updated.
PFI6/WFTRIG	DGND	Input Output	PFI6/Waveform Trigger—As an input, this is a PFI.  As an output, this is the WFTRIG signal. In timed AO sequences, a low-to-high transition indicates the initiation of the waveform generation.
PFI7/STARTSCAN	DGND	Input Output	PFI7/Start of Scan—As an input, this is a PFI.  As an output, this is the STARTSCAN signal. This pin pulses once at the start of each AI scan in the interval scan. A low-to-high transition indicates the start of the scan.
PFI8/GPCTR0_SOURCE	DGND	Input Output	PFI8/Counter 0 Source—As an input, this is a PFI.  As an output, this is the GPCTR0_SOURCE signal. This signal reflects the actual source connected to the general-purpose counter 0.
PFI9/GPCTR0_GATE	DGND	Input Output	PFI9/Counter 0 Gate—As an input, this is a PFI.  As an output, this is the GPCTR0_GATE signal. This signal reflects the actual gate signal connected to the general-purpose counter 0.
GPCTR0_OUT	DGND	Output	Counter 0 Output—This output is from the general-purpose counter 0 output.
FREQ_OUT	DGND	Output	Frequency Output—This output is from the frequency generator output.

Each analog input for the DAQPad-6052E with BNCs has a switch that you set based on whether the BNC is connected to a floating source (FS) or a grounded source (GS). Figure 4-3 shows how setting the switch to FS connects the negative terminal of the differential input to ground through a  $5\text{ k}\Omega$  resistor in parallel with  $0.1\text{ }\mu\text{F}$  resistor. If you are using a differential channel connected to a floating source, set the switch to FS. Set the switch to GS to allow both positive and negative terminals to float. If you are using a single-ended channel or using a differential channel connected to a grounded source, set the switch to GS. Refer to the [Types of Signal Sources](#) section for more information on single-ended channels, differential channels, floating sources, and grounded sources.



**Figure 4-3.** Floating Source and Grounded Source Connections

## External Expansion Connector

The external expansion connector, which connects to SCXI in serial mode, is located on the back panel of the DAQPad-6052E. Using the external expansion connector does not use any AI channels, but does use DIO0, DIO1, DIO2, DIO4, and PF17/STARTSCAN.



**Caution** Connections that exceed any of the maximum ratings of input or output signals on the NI 6052E can damage the device and the computer. Maximum input ratings for each signal are given in the *Protection* column of Table 4-3. NI is *not* liable for any damage resulting from such signal connections.

**Table 4-3.** I/O Signal Summary

Signal Name	Signal Type and Direction	Impedance Input/ Output	Protection (Volts) On/Off	Source (mA at V)	Sink (mA at V)	Rise Time (ns)	Bias
ACH<0..63>	AI	100 G $\Omega$ in parallel with 100 pF	$\pm 25/15$	—	—	—	$\pm 200$ pA
AISENSE, AISENSE2	AI	100 G $\Omega$ in parallel with 100 pF	$\pm 25/15$	—	—	—	$\pm 200$ pA
AIGND	AO	—	—	—	—	—	—
DAC0OUT	AO	0.1 $\Omega$	Short-circuit to ground	5 at 10	5 at -10	20 V/ $\mu$ s	—
DAC1OUT	AO	0.1 $\Omega$	Short-circuit to ground	5 at 10	5 at -10	20 V/ $\mu$ s	—
EXTREF	AI	10 k $\Omega$	$\pm 25/15$	—	—	—	—
AOGND	AO	—	—	—	—	—	—
DGND	DO	—	—	—	—	—	—
V <sub>CC</sub>	DO	0.1 $\Omega$	Short-circuit to ground	1A at 5	—	—	—
DIO<0..7>	DIO	—	V <sub>CC</sub> + 0.5	13 at (V <sub>CC</sub> - 0.4)	24 at 0.4	1.1	50 k $\Omega$ pu
SCANCLK	DO	—	—	3.5 at (V <sub>CC</sub> - 0.4)	5 at 0.4	1.5	50 k $\Omega$ pu
EXTSTROBE*	DO	—	—	3.5 at (V <sub>CC</sub> - 0.4)	5 at 0.4	1.5	50 k $\Omega$ pu
PFI0/TRIG1	AI DIO	10 k $\Omega$	$\pm 35$ V <sub>CC</sub> + 0.5	3.5 at (V <sub>CC</sub> - 0.4)	5 at 0.4	1.5	9 k $\Omega$ pu and 10 k $\Omega$ pd
PFI1/TRIG2	DIO	—	V <sub>CC</sub> + 0.5	3.5 at (V <sub>CC</sub> - 0.4)	5 at 0.4	1.5	50 k $\Omega$ pu
PFI2/CONVERT*	DIO	—	V <sub>CC</sub> + 0.5	3.5 at (V <sub>CC</sub> - 0.4)	5 at 0.4	1.5	50 k $\Omega$ pu
PFI3/GPCTR1_SOURCE	DIO	—	V <sub>CC</sub> + 0.5	3.5 at (V <sub>CC</sub> - 0.4)	5 at 0.4	1.5	50 k $\Omega$ pu
PFI4/GPCTR1_GATE	DIO	—	V <sub>CC</sub> + 0.5	3.5 at (V <sub>CC</sub> - 0.4)	5 at 0.4	1.5	50 k $\Omega$ pu

**Table 4-3.** I/O Signal Summary (Continued)

Signal Name	Signal Type and Direction	Impedance Input/Output	Protection (Volts) On/Off	Source (mA at V)	Sink (mA at V)	Rise Time (ns)	Bias
GPCTR1_OUT	DO	—	—	3.5 at $(V_{CC} - 0.4)$	5 at 0.4	1.5	50 k $\Omega$ pu
PFI5/UPDATE*	DIO	—	$V_{CC} + 0.5$	3.5 at $(V_{CC} - 0.4)$	5 at 0.4	1.5	50 k $\Omega$ pu
PFI6/WFTRIG	DIO	—	$V_{CC} + 0.5$	3.5 at $(V_{CC} - 0.4)$	5 at 0.4	1.5	50 k $\Omega$ pu
PFI7/STARTSCAN	DIO	—	$V_{CC} + 0.5$	3.5 at $(V_{CC} - 0.4)$	5 at 0.4	1.5	50 k $\Omega$ pu
PFI8/GPCTR0_SOURCE	DIO	—	$V_{CC} + 0.5$	3.5 at $(V_{CC} - 0.4)$	5 at 0.4	1.5	50 k $\Omega$ pu
PFI9/GPCTR0_GATE	DIO	—	$V_{CC} + 0.5$	3.5 at $(V_{CC} - 0.4)$	5 at 0.4	1.5	50 k $\Omega$ pu
GPCTR0_OUT	DO	—	—	3.5 at $(V_{CC} - 0.4)$	5 at 0.4	1.5	50 k $\Omega$ pu
FREQ_OUT	DO	—	—	3.5 at $(V_{CC} - 0.4)$	5 at 0.4	1.5	50 k $\Omega$ pu

pu = pull up  
DO = Digital Output  
pd = pull down  
\* Indicates active low

**Note:** The tolerance on the 50 k $\Omega$  pull-up and pull-down resistors is large. Actual values range between 17 k $\Omega$  and 100 k $\Omega$ .

## Analog Input Signal Connections

The AI signals are ACH<0..15>, AISENSE, and AIGND. The ACH<0..15> signals connect to the 16 AI channels of the NI 6052E. In single-ended modes, signals connected to ACH<0..15> are routed to the positive input of the PGIA. In DIFF mode, signals connected to ACH<0..7> are routed to the positive input of the PGIA, and signals connected to ACH<8..15> are routed to the negative input of the PGIA.

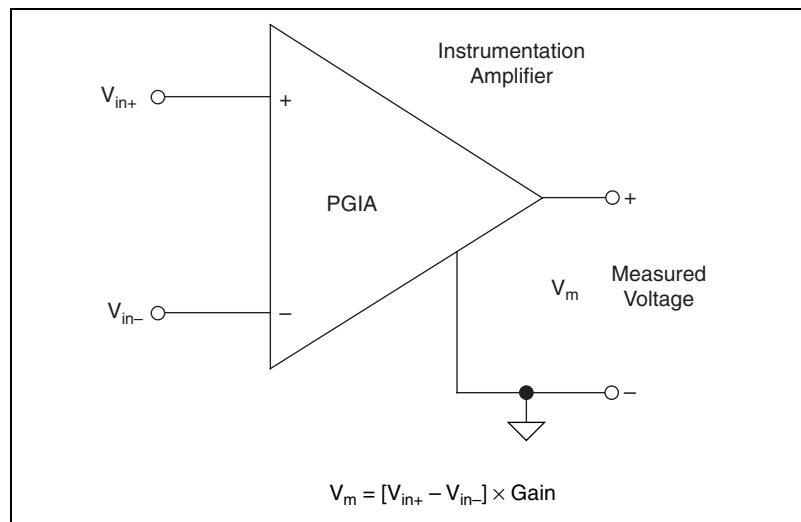


**Caution** Exceeding the differential and common-mode input ranges distorts the input signals. Exceeding the maximum input voltage rating can damage the device and the computer. NI is *not* liable for any damage resulting from such signal connections. The maximum input voltage ratings are listed in the *Protection* column of Table 4-3.

In NRSE mode, the AISENSE signal internally connects to the negative input of the PGIA when the corresponding channels are selected. In DIFF and RSE modes, the signal is unconnected.

AIGND is an AI common signal that is directly routed to the ground connection point on the device. You can also use this signal for a general analog ground connect point to the device.

Connect the AI signals to the device according to the configuration of the AI channels you are using and the type of input signal source. With each configuration, you can use the PGIA in a different way. Figure 4-4 shows a diagram of the PGIA.



**Figure 4-4.** PGIA

The PGIA applies gain and common-mode voltage rejection and presents high-input impedance to the AI signals connected to the device. Signals are routed to the positive and negative inputs of the PGIA through input multiplexers on the device. The PGIA converts two input signals to a signal that equals the difference between the two input signals multiplied by the gain setting of the amplifier. The amplifier output voltage is referenced to the device ground. The ADC measures this voltage when it performs A/D conversions.

You must reference all signals to ground either at the signal source or at the device. If you have a floating source, reference the signal to ground using the RSE input mode or the DIFF input mode with bias resistors. Refer to the [Differential Connections for Nonreferenced or Floating Signal](#)

*Sources* section for more information. If you have a grounded source, do not reference the signal to AIGND. You can avoid this reference by using DIFF or NRSE modes.

## Types of Signal Sources

---

When configuring the input channels and making signal connections, you must first determine whether the signal sources are floating or ground-referenced. The following sections describe these signal types.

### Floating Signal Sources

A floating signal source is not connected to the building ground system. Instead, it has an isolated ground-reference point. An instrument or device that has an isolated output is a floating signal source. Some floating signal source examples are the outputs of transformers, thermocouples, battery-powered devices, optical isolator outputs, and isolation amplifiers. You must connect the ground reference of a floating signal to the device AI ground to establish a local or onboard reference for the signal. Otherwise, the measured input signal varies as the source floats from the common-mode input range.

### Ground-Referenced Signal Sources

A ground-referenced signal source is connected to the building system ground. Therefore, it is already connected to a common ground point with respect to the device, assuming that the computer is plugged into the same power system. Nonisolated outputs of instruments and devices that plug into the building power system fall into this category.

The difference in ground potential between two instruments connected to the same building power system is typically between 1 and 100 mV, but can be much higher if power distribution circuits are improperly connected. If a ground-referenced signal source is incorrectly measured, this difference can appear as a measurement error. The connection instructions for grounded signal sources are designed to eliminate this ground potential difference from the measured signal.



# Input Configurations

---

The following sections discuss the use of single-ended and differential input modes and considerations for measuring both floating and ground-referenced signal sources.

Figure 4-5 summarizes the recommended input configuration for both types of signal sources.

Input	Signal Source Type	
	Floating Signal Source (Not Connected to Building Ground)	Grounded Signal Source
	<p>Examples</p> <ul style="list-style-type: none"> <li>• Ungrounded Thermocouples</li> <li>• Signal Conditioning with Isolated Outputs</li> <li>• Battery Devices</li> </ul>	<p>Examples</p> <ul style="list-style-type: none"> <li>• Plug-in Instruments with Nonisolated Outputs</li> </ul>
Differential (DIFF)	<p>See text for information on bias resistors.</p>	
Single-Ended — Ground Referenced (RSE)		<p><b>NOT RECOMMENDED</b></p> <p>Ground-loop losses, <math>V_g</math>, are added to measured signal.</p>
Single-Ended — Nonreferenced (NRSE)	<p>See text for information on bias resistors.</p>	

Figure 4-5. Analog Input Configurations

## Differential Connections (DIFF Input Mode)

A differential connection is one in which the DAQPad-6070E AI signal has its own reference signal or signal return path. These connections are available when the selected channel is configured in DIFF input mode. The input signal is tied to the positive input of the PGIA, and its reference signal, or return, is tied to the negative input of the PGIA.

When you configure a channel for DIFF input, each signal uses two multiplexer inputs—one for the signal and one for its reference. Therefore, with a DIFF configuration for every channel, as many as eight AI channels are available.

In DIFF input mode, the AI channels are paired, with ACH<*i*> as the signal input and ACH<*i*+8> as the signal reference. For example, ACH0 is paired with ACH8, ACH1 is paired with ACH9, and so on.

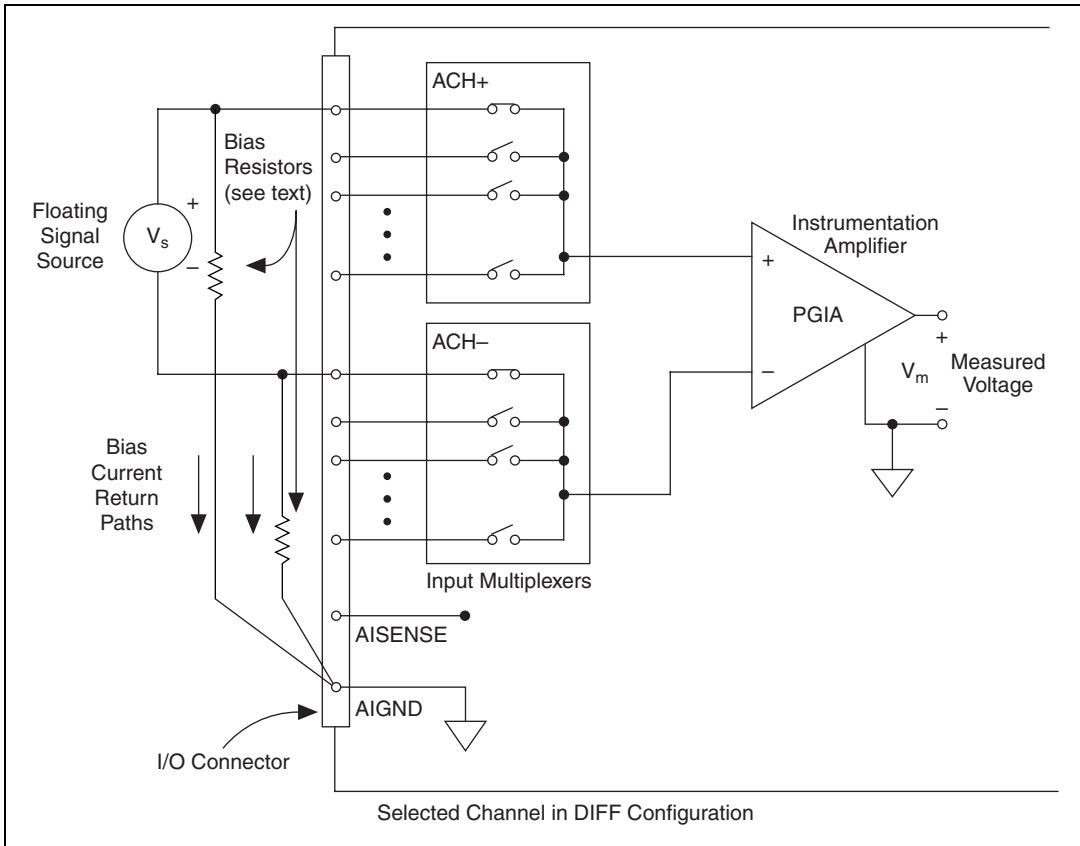
Use DIFF input connections for channels that meet any of the following conditions:

- The input signal is low-level (less than 1 V).
- The leads connecting the signal to the DAQPad-6070E are greater than 3 m (10 ft).
- The input signal requires a separate ground-reference point or return signal.
- The signal leads travel through noisy environments.

Differential signal connections reduce noise pickup and increase common-mode noise rejection. Differential signal connections also allow input signals to float within the common-mode limits of the PGIA.

## Differential Connections for Nonreferenced or Floating Signal Sources

Figure 4-6 shows how to connect a floating signal source to a channel on the NI 6052E configured in DIFF mode.



**Figure 4-6.** Differential Input Connections for Nonreferenced Signals

Figure 4-6 shows two bias resistors connected in parallel with the signal leads of a floating signal source. If you do not use the resistors and the source is truly floating, the source is unlikely to remain within the PGIA common-mode signal range. The PGIA then saturates, causing erroneous readings. To avoid this error, reference the source to AIGND by connecting the positive side of the signal to the positive input of the PGIA and connecting the negative side of the signal to AIGND as well as to the negative input of the PGIA, without any resistors. This connection works well for DC-coupled sources with low source impedance (less than 100  $\Omega$ ).

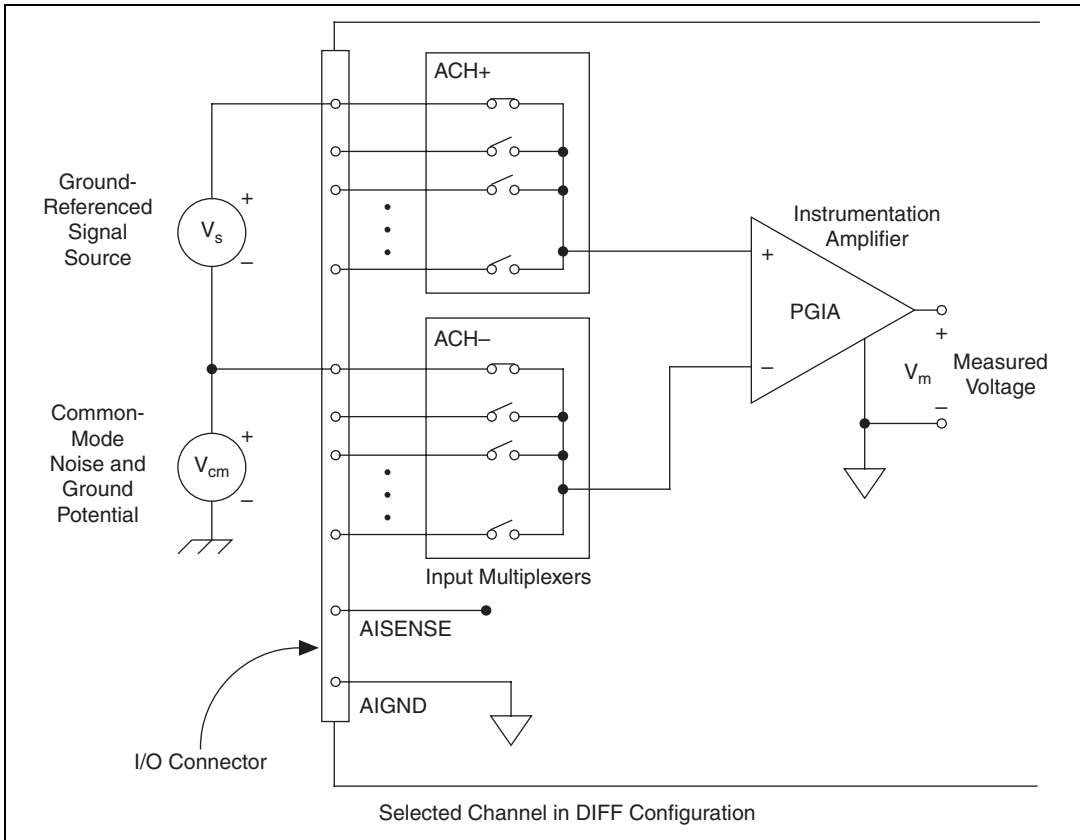
However, for larger source impedances, this connection leaves the differential signal path significantly off balance. Noise that couples electrostatically onto the positive line does not couple onto the negative line because it is connected to ground. Therefore, this noise appears as a differential-mode signal instead of a common-mode signal, and the PGIA does not reject it. In this case, instead of directly connecting the negative line to AIGND, connect it to AIGND through a resistor about 100 times the equivalent source impedance. The resistor puts the signal path nearly in balance, so similar amounts of noise couple onto both connections, yielding better rejection of electrostatically coupled noise. Also, this configuration does not load down the source (other than the high-input impedance of the PGIA).

You can fully balance the signal path by connecting another resistor of the same value between the positive input and AIGND, as shown in Figure 4-6. This balanced configuration offers slightly better noise rejection, but it loads down the source with the series combination (sum) of the two resistors. If, for example, the source impedance is  $2\text{ k}\Omega$  and each of the two resistors is  $100\text{ k}\Omega$ , the resistors load down the source with  $200\text{ k}\Omega$  and produce a  $-1\%$  gain error.

Both PGIA inputs require a DC path to ground for the PGIA to work. If the source is AC coupled (capacitively coupled), the PGIA needs a resistor between the positive input and AIGND. If the source has low-impedance, choose a resistor that is large enough not to significantly load the source, but small enough not to produce significant input offset voltage as a result of input bias current (typically  $100\text{ k}\Omega$  to  $1\text{ M}\Omega$ ). In this case, connect the negative input directly to AIGND. If the source has high output impedance, balance the signal path as previously described, using the same value resistor on both the positive and negative inputs. Some gain error is produced by loading down the source.

## Differential Connections for Ground-Referenced Signal Sources

Figure 4-7 shows how to connect a ground-referenced signal source to a channel on the NI 6052E configured in DIFF mode.



**Figure 4-7.** Differential Input Connections for Ground-Referenced Signals

With this type of connection, the PGIA rejects both the common-mode noise in the signal and the ground potential difference between the signal source and the device ground, shown as  $V_{cm}$  in Figure 4-7.

## Single-Ended Connection Considerations

In a single-ended connection, the AI signal is referenced to a ground that can be shared with other input signals. The input signal connects to the positive input of the PGIA, and the ground connects to the negative input of the PGIA.

When every channel is configured for single-ended input, up to 16 AI channels on the NI 6052E are available. Use single-ended input connections for any input signal that meets the following conditions:

- The input signal is high level (greater than 1 V).
- The leads connecting the signal to the device are less than 3 m (10 ft).
- The input signal can share a common reference point with other signals.

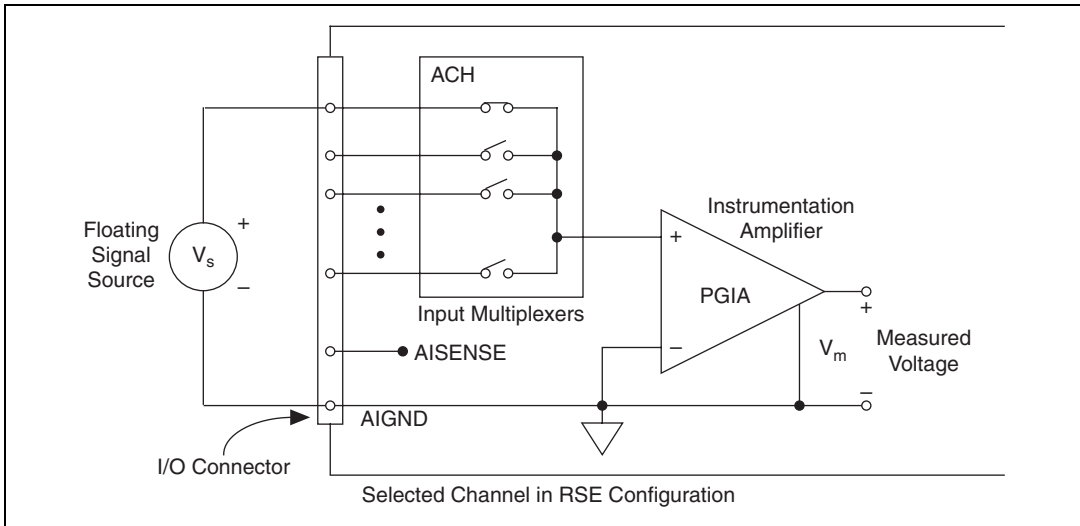
DIFF input connections are recommended for greater signal integrity for input signals that do not meet the preceding conditions.

Using application software, you can configure the NI 6052E channels for RSE or NRSE mode. RSE mode is used for floating signal sources. In this case, the NI 6052E provides the reference ground point for the external signal. NRSE mode is used for ground-referenced signal sources. In this case, the external signal supplies its own reference ground point, and the device should not supply one.

In single-ended configurations, more electrostatic and magnetic noise couples into the signal connections than in the DIFF configuration. The coupling is a result of signal path differences. Magnetic coupling is proportional to the area between the two signal conductors. Electrical coupling is a function of how much the electric field differs between the two signal conductors.

## Single-Ended Connections for Floating Signal Sources (RSE Configuration)

Figure 4-8 shows how to connect a floating signal source to a channel on the NI 6052E configured for RSE mode.



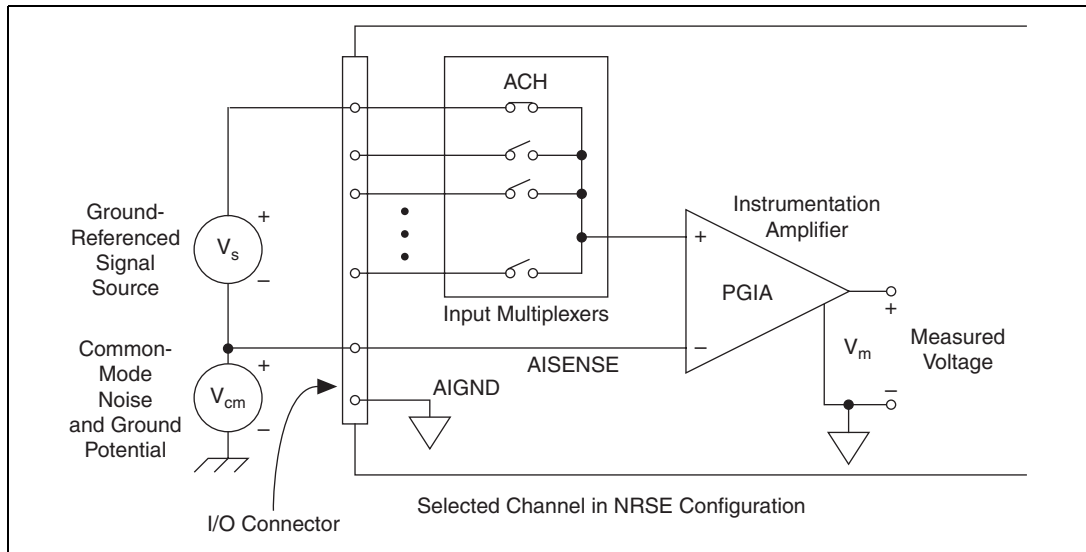
**Figure 4-8.** Single-Ended Input Connections for Nonreferenced or Floating Signals

## Single-Ended Connections for Grounded Signal Sources (NRSE Configuration)

To measure a grounded signal source with a single-ended configuration, you must configure the device in NRSE input mode. The signal is then connects to the PGIA positive input, and the signal local ground reference connects to the PGIA negative input. The ground point of the signal should, therefore, connect to the AISENSE pin. Any potential difference between the NI 6052E ground and the signal ground appears as a common-mode signal at both the positive and negative inputs of the PGIA, and the amplifier rejects this difference. If the input circuitry of the NI 6052E were referenced to ground, as in the RSE configuration, this difference in ground potentials appears as an error in the measured voltage.

Figure 4-9 shows how to connect a grounded signal source to a channel on the NI 6052E configured for NRSE mode.





**Figure 4-9.** Single-Ended Input Connections for Ground-Referenced Signals

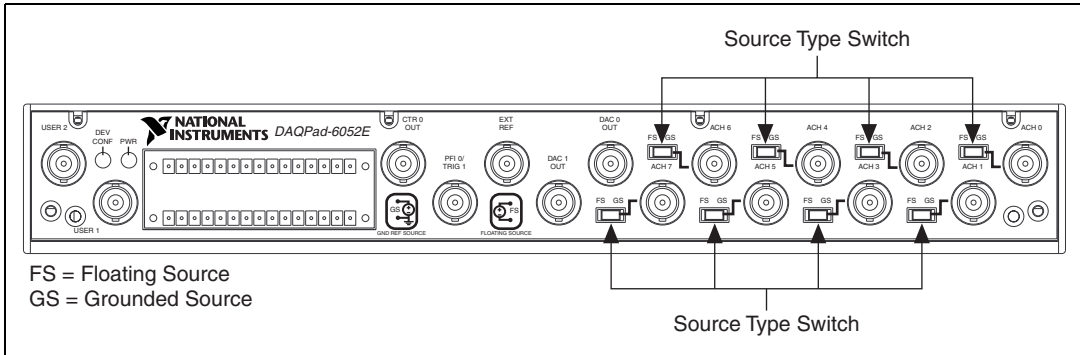
## Common-Mode Signal Rejection Considerations

Figures 4-7 and 4-9 show connections for signal sources that are already referenced to some ground point with respect to the NI 6052E. In these cases, the PGIA can reject any voltage caused by ground potential differences between the signal source and the device. In addition, with DIFF input connections, the PGIA can reject common-mode noise pickup in the leads connecting the signal sources to the device. The PGIA can reject common-mode signals as long as  $V_{in}^+$  and  $V_{in}^-$  (input signals) are both within  $\pm 11$  V of AIGND.

## Measuring More than Eight Channels with the DAQPad-6052E for BNC

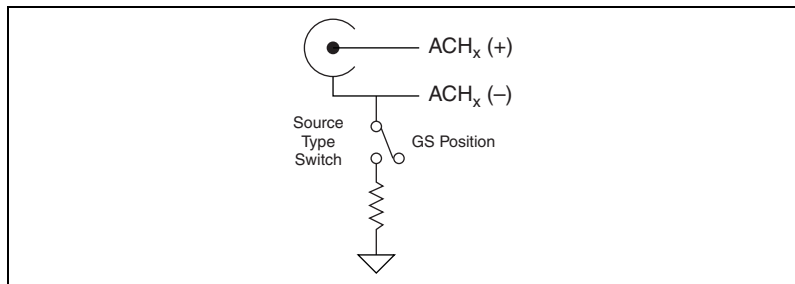
The DAQPad-6052E for BNC is designed to measure up to eight differential channels using BNC connectors and cabling. To measure more than eight channels, use one of the single-ended modes. Up to 16 single-ended channels are available in the single-ended modes.

To use a single-ended mode, change the source type (FS/GS) switch settings on the device front panel. Figure 4-10 shows the switch locations.



**Figure 4-10.** Front Panel of the DAQPad-6052E for BNC

For each BNC connector that you use for two channels, set the source type switch to the GS position. This setting disconnects the built-in ground reference resistor from the negative terminal of the BNC connector, allowing you to use it as a single-ended channel, as shown in Figure 4-11. When you set the source type to the GS position and configure the device for single-ended input, each BNC connector provides access to two single-ended channels,  $ACH_{<i>i</i>}$  and  $ACH_{<i>i+8</i>}$ . For example, the BNC connector labeled **ACH0** provides access to single-ended channels ACH0 and ACH8, the BNC connector labeled **ACH1** provides access to single-ended channels ACH1 and ACH9, and so on.



**Figure 4-11.** BNC Connector Wiring

## Connecting Analog Output Signals

The AO signals are DAC0OUT, DAC1OUT, EXTREF, and AOGND.

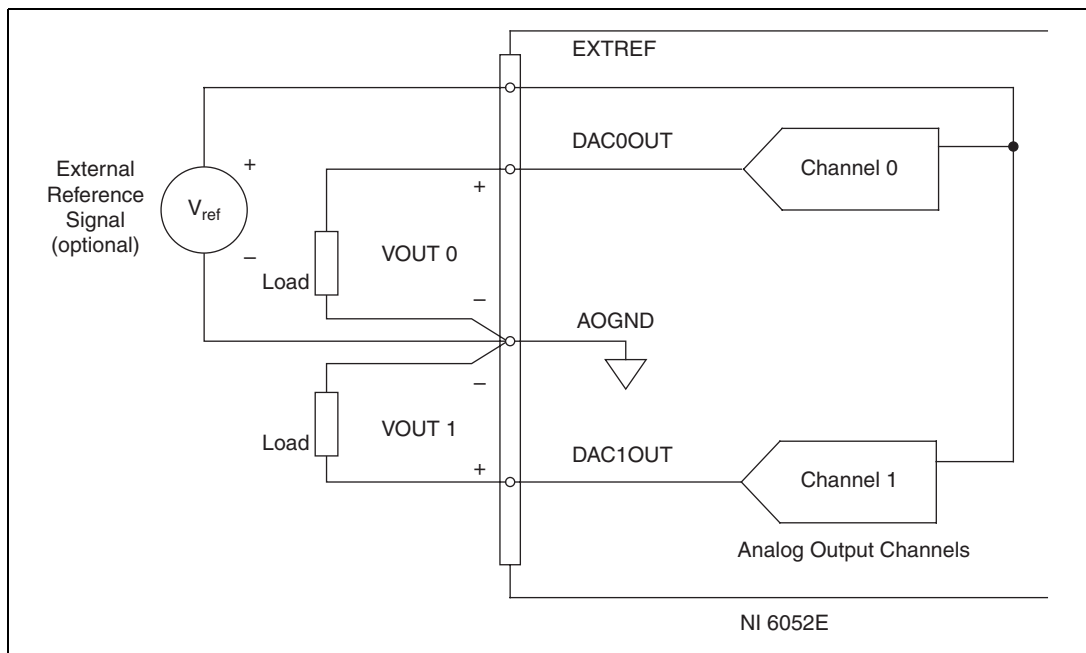
DAC0OUT and DAC1OUT are the voltage output signals for AO channels 0 and 1, respectively.

EXTREF is the external reference input for both AO channels. You must individually configure each AO channel for external reference selection so that the signal applied at the external reference input is used by that channel. If you do not specify an external reference, the channel uses the internal reference. AO configuration options are explained in the [Analog Output](#) section of Chapter 3, [Hardware Overview](#). The following ranges and ratings apply to the EXTREF input:

- Usable input voltage range:  $\pm 11$  V peak with respect to AOGND
- Absolute maximum ratings:  $\pm 15$  V peak with respect to AOGND

AOGND is the ground reference signal for both AO channels and the external reference signal.

Figure 4-12 shows how to make AO connections and the external reference input connection to the device.



**Figure 4-12.** Analog Output Connections

The external reference signal can be either a DC or an AC signal. The device multiplies this reference signal by the DAC code (divided by the full-scale DAC code) to generate the output voltage.

## Connecting Digital I/O Signals

---

The DIO signals are DIO<0..7> and DGND. DIO<0..7> are the signals making up the DIO port, and DGND is the ground reference signal for the DIO port. You can individually program all lines as inputs or outputs.



**Caution** Exceeding the maximum input voltage ratings listed in Table 4-3 can damage the device and the computer. NI is *not* liable for any damage resulting from such signal connections.

Figure 4-13 shows signal connections for three typical DIO applications. Figure 4-13 shows DIO<0..3> configured for digital input and DIO<4..7> configured for digital output. Digital input applications include receiving TTL signals and sensing external device states, such as the state of the switch shown in the figure. Digital output applications include sending TTL signals and driving external devices, such as the LED shown in the figure.

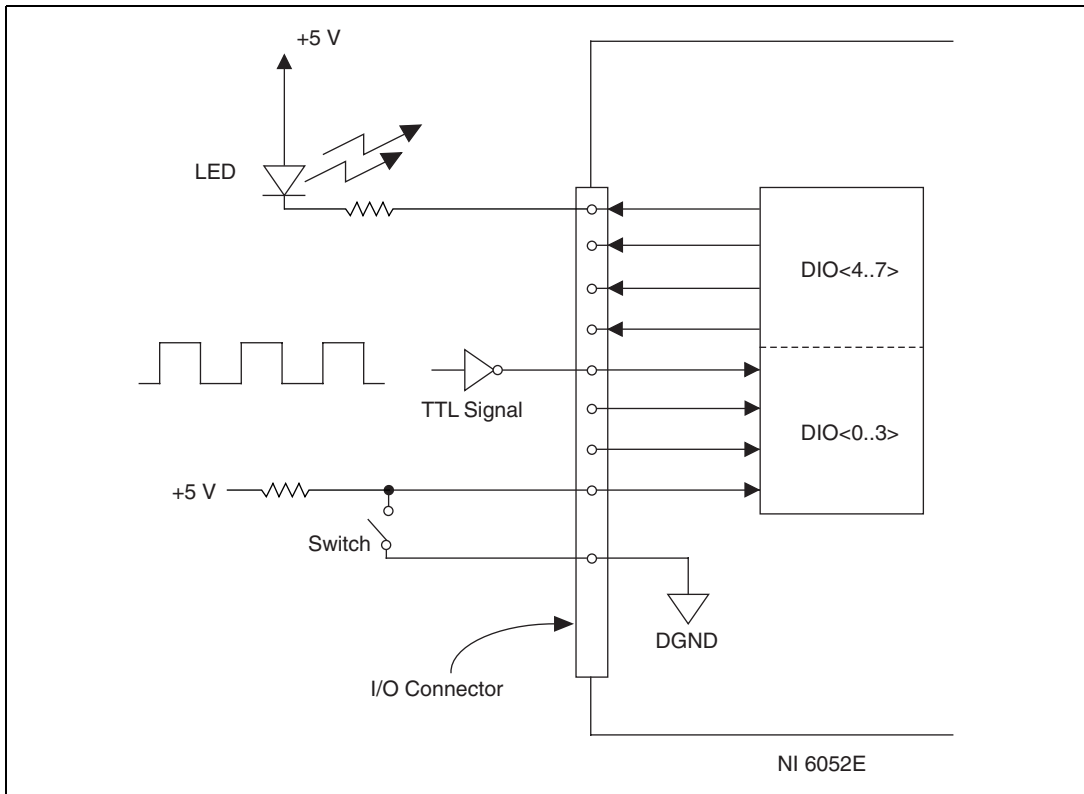


Figure 4-13. Digital I/O Connections

## Power Connections

Two pins on the I/O connector supply +5 V from the computer power supply through a self-resetting fuse. The fuse automatically resets within a few seconds after the overcurrent condition is removed. These pins are referenced to DGND, and you can use them to power external digital circuitry. The fuse power rating is +4.65 to +5.25 VDC at 1 A.



**Caution** Do *not* connect these +5 V power pins directly to analog or digital ground or to any other voltage source on the device or any other device. Doing so can damage the device and the computer. NI is *not* liable for damage resulting from such a connection.

# Connecting Timing Signals

---



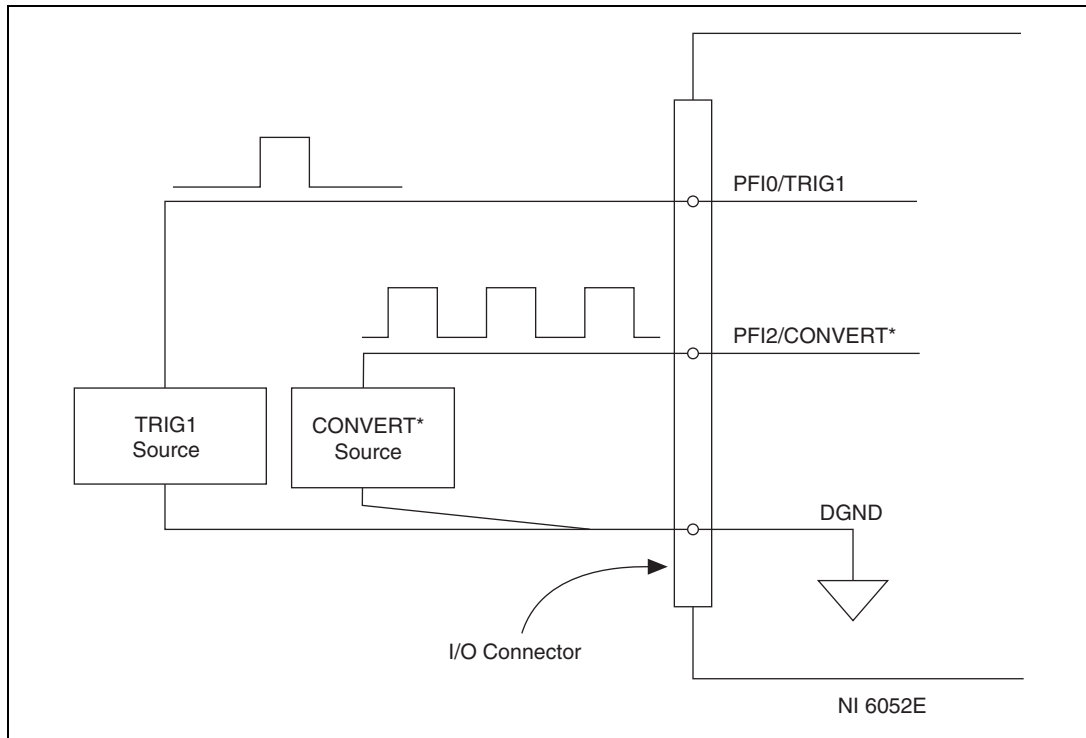
**Caution** Exceeding the maximum input voltage ratings listed in Tables 4-3 can damage the device and the computer. NI is *not* liable for any damage resulting from such signal connections.

All external control over the timing of the device is routed through the ten PFIs labeled *PF10* through *PF19*. Refer to the [Programmable Function Input Connections](#) section for more information on these signals. These PFIs are bidirectional; as outputs they are not programmable and reflect the state of many DAQ, waveform generation, and general-purpose timing signals. The NI 6052E has five other dedicated outputs for the remainder of the timing signals. As inputs, the PFIs are programmable and can control many DAQ, waveform generation, and general-purpose timing signals.

Refer to the following sections of this chapter for more information on these signals:

- [Data Acquisition Timing Connections](#)
- [Waveform Generation Timing Connections](#)
- [General-Purpose Timing Signal Connections](#)

All digital timing connections are referenced to DGND. Figure 4-14 shows how to connect an external TRIG1 source and an external CONVERT\* source to two NI 6052E PFI pins.



**Figure 4-14.** Timing I/O Connections

## Programmable Function Input Connections

You can externally control 13 internal timing signals from the PFI pins. The source for each of these signals is software configurable from any PFI when you want external control. This flexible routing scheme reduces the need to change the physical wiring to the device I/O connector for applications requiring alternative wiring.

You can individually enable each PFI pin to output a specific internal timing signal. For example, if you need the CONVERT\* signal as an output to the I/O connector, the application software can turn on the output driver for the PFI2/CONVERT\* pin. Be careful not to externally drive a PFI signal when it is configured as an output.

As an input, you can individually configure each PFI signal for edge or level detection and polarity selection. You can use the polarity selection for any timing signal, but the edge or level detection depends on the particular timing signal being controlled. The detection requirements for each timing signal are listed in the corresponding sections.

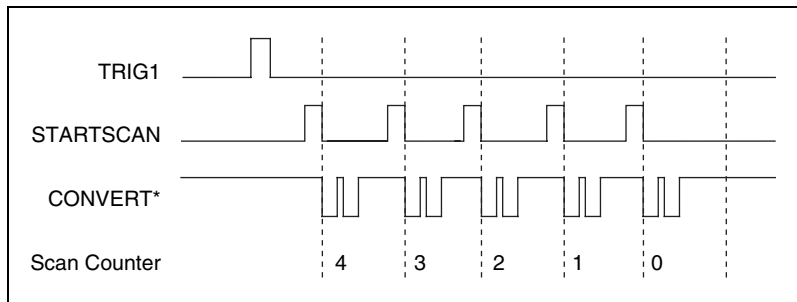
In edge-detection mode, the minimum pulse width required is 10 ns. This requirement applies for both rising-edge and falling-edge polarity settings. There is no maximum pulse width requirement in edge-detect mode.

In level-detection mode, there are no pulse width requirements imposed by the PFIs themselves. Limits can be imposed by the particular timing signal being controlled. These requirements are listed in the sections describing the particular signals.

## Data Acquisition Timing Connections

The timing signals are TRIG1, TRIG2, STARTSCAN, CONVERT\*, AIGATE, SISOURCE, SCANCLK, and EXTSTROBE\*.

Posttriggered data acquisition allows you to view data that is acquired after a trigger event is received. Figure 4-15 shows a typical posttriggered sequence.

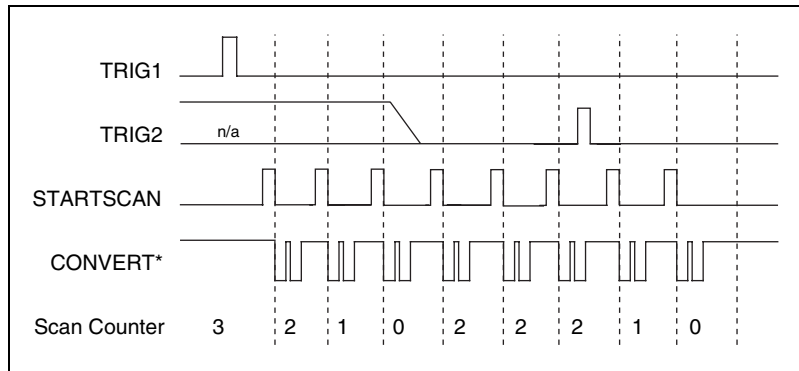


**Figure 4-15.** Typical Posttriggered Sequence

Pretriggered data acquisition allows you to view data that is acquired before the trigger of interest in addition to data acquired after the trigger.

Figure 4-16 shows a typical pretriggered sequence. The description for each signal shown in these figures is included in this chapter.





**Figure 4-16.** Typical Pretriggered Sequence

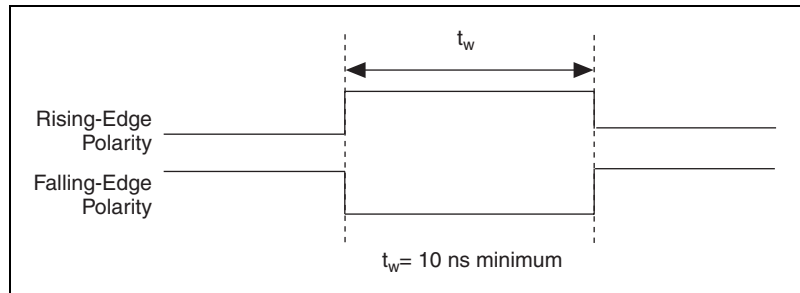
## TRIG1 Signal

Any PFI pin can externally input the TRIG1 signal, which is available as an output on the PFI0/TRIG1 pin.

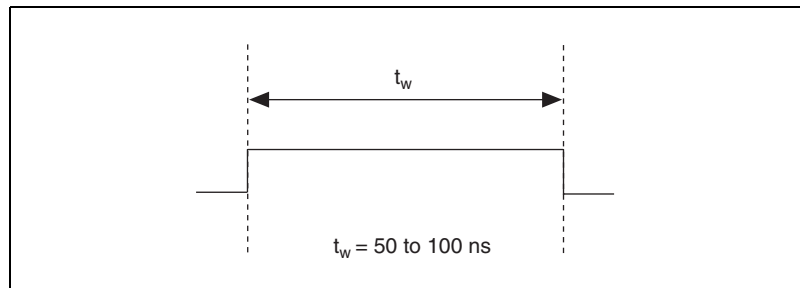
As an input, TRIG1 is configured in the edge-detection mode. You can select any PFI pin as the source for TRIG1 and configure the polarity selection for either rising or falling edge. The selected edge of TRIG1 starts the sequence for both posttriggered and pretriggered acquisitions. Refer to Figures 4-15 and 4-16 for the relationship of TRIG1 to the sequence. Refer to Chapter 3, *Hardware Overview*, for more information on analog triggering.

As an output, TRIG1 reflects the action that initiates a sequence, even if the acquisition is externally triggered by another PFI. The output is an active high pulse with a pulse width of 50 to 100 ns. This output is set to high-impedance at startup.

Figures 4-17 and 4-18 show the input and output timing requirements for TRIG1.



**Figure 4-17.** TRIG1 Input Signal Timing



**Figure 4-18.** TRIG1 Output Signal Timing

The device also uses TRIG1 to initiate pretriggered operations. In pretriggered applications, TRIG1 is generated by a software trigger unless a PFI pin is selected as the source of TRIG1. Refer to the *TRIG2 Signal* section for a complete description of the use of TRIG1 and TRIG2 in a pretriggered operation.

## TRIG2 Signal

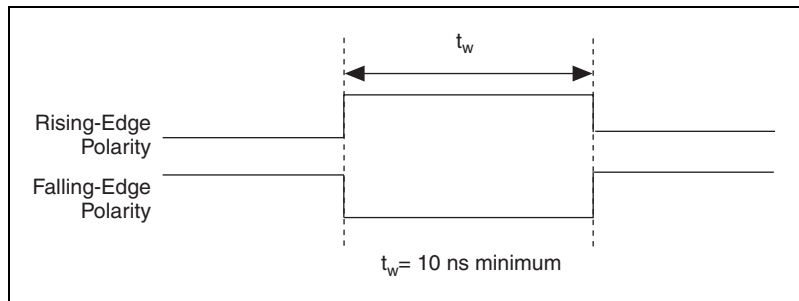
Any PFI pin can externally input the TRIG2 signal, which is available as an output on the PFI1/TRIG2 pin. Refer to Figure 4-16 for the relationship of TRIG2 to the sequence.

As an input, TRIG2 is configured in edge-detection mode. You can select any PFI pin as the source for TRIG2 and configure the polarity selection for either rising or falling edge. The selected edge of TRIG2 initiates the posttriggered phase of a pretriggered sequence. In pretriggered mode, the TRIG1 signal initiates the acquisition. The scan counter (SC) indicates the minimum number of scans before TRIG2 is recognized. After the SC

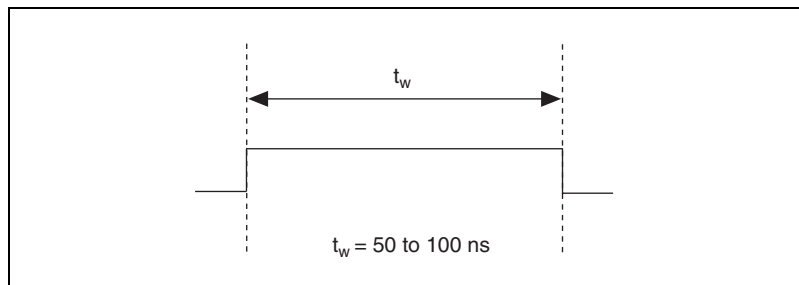
decrements to zero, it is loaded with the number of posttrigger scans to acquire while the acquisition continues. The device ignores TRIG2 if it is asserted prior to the SC decrementing to zero. After the selected edge of TRIG2 is received, the device acquires a fixed number of scans and the acquisition stops. In pretriggered mode, the device acquires data both before and after receiving TRIG2.

As an output, TRIG2 reflects the posttrigger in a pretriggered sequence, even if the acquisition is externally triggered by another PFI. TRIG2 is not used in posttriggered data acquisition. The output is an active high pulse with a pulse width of 50 to 100 ns. This output is set to high-impedance at startup.

Figures 4-19 and 4-20 show the input and output timing requirements for TRIG2.



**Figure 4-19.** TRIG2 Input Signal Timing



**Figure 4-20.** TRIG2 Output Signal Timing

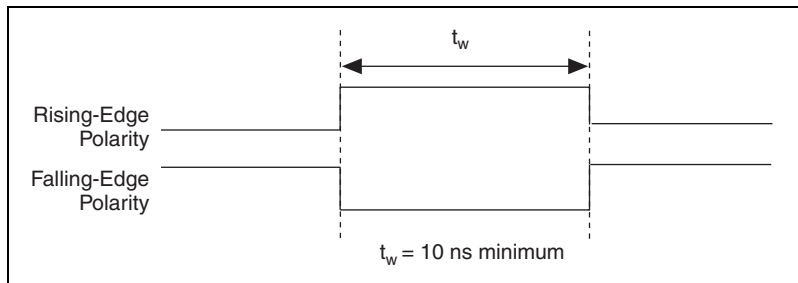
## STARTSCAN Signal

Any PFI pin can externally input the STARTSCAN signal, which is available as an output on the PFI7/STARTSCAN pin. Refer to Figures 4-15 and 4-16 for the relationship of STARTSCAN to the sequence.

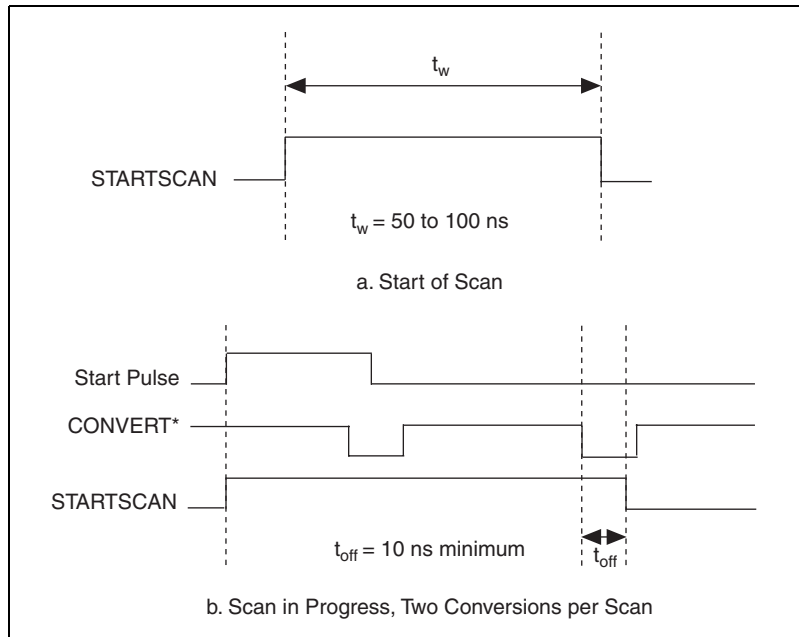
As an input, STARTSCAN is configured in edge-detection mode. You can select any PFI pin as the source for STARTSCAN and configure the polarity selection for either rising or falling edge. The selected edge of STARTSCAN initiates a scan. The SI2 counter starts if you select an internally triggered CONVERT\*.

As an output, STARTSCAN reflects the actual start pulse that initiates a scan, even if the starts are externally triggered by another PFI. You have two output options. The first option is an active high pulse with a pulse width of 50 to 100 ns, which indicates the start of the scan. The second option is an active high pulse that terminates at the start of the last conversion in the scan, which indicates a scan in progress. STARTSCAN is deasserted,  $t_{\text{off}}$ , after the last conversion in the scan is initiated. This output is set to high-impedance at startup.

Figures 4-21 and 4-22 show the input and output timing requirements for STARTSCAN.



**Figure 4-21.** STARTSCAN Input Signal Timing



**Figure 4-22.** STARTSCAN Output Signal Timing

The CONVERT\* pulses are masked off until the device generates STARTSCAN. If you use internally generated conversions, the first CONVERT\* appears when the onboard SI2 counter reaches zero. If you select an external CONVERT\*, the first external pulse after STARTSCAN generates a conversion. Separate the STARTSCAN pulses by at least one scan period.

A counter on the device internally generates STARTSCAN unless you select some external source. The TRIG1 signal starts this counter, and the application software or the sample counter stops it.

Scans generated by either an internal or external STARTSCAN are inhibited unless they occur within a sequence. Scans occurring within a sequence can be gated by either the hardware AIGATE signal or the software command register gate.

## CONVERT\* Signal

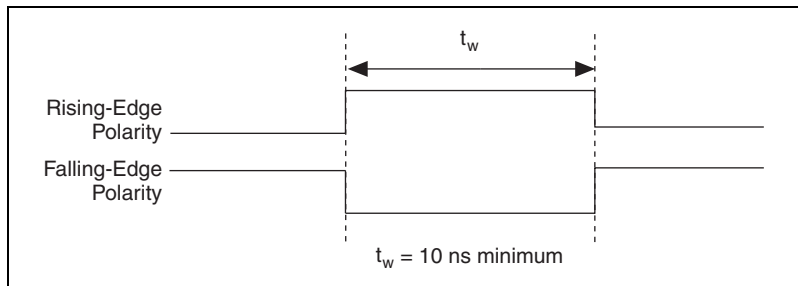
Any PFI pin can externally input the CONVERT\* signal, which is available as an output on the PFI2/CONVERT\* pin.

Refer to Figures 4-15 and 4-16 for the relationship of CONVERT\* to the sequence.

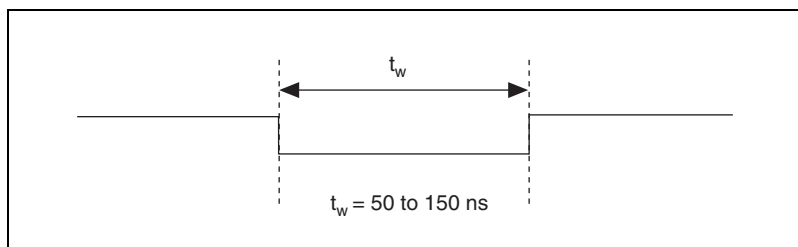
As an input, CONVERT\* is configured in edge-detection mode. You can select any PFI pin as the source for CONVERT\* and configure the polarity selection for either rising or falling edge. The selected edge of CONVERT\* initiates an A/D conversion.

As an output, CONVERT\* reflects the actual convert pulse that connects to the ADC, even if the conversions are externally generated by another PFI. The output is an active low pulse with a pulse width of 50 to 100 ns. This output is set to high-impedance at startup.

Figures 4-23 and 4-24 show the input and output timing requirements for CONVERT\*.



**Figure 4-23.** CONVERT\* Input Signal Timing



**Figure 4-24.** CONVERT\* Output Signal Timing

The ADC switches to hold mode within 60 ns of the selected edge. This hold-mode delay time is a function of temperature and does not vary from one conversion to the next. Separate the CONVERT\* pulses by at least one conversion period.

The sample interval counter on the NI 6052E generates CONVERT\* unless you select an external source. The STARTSCAN signal starts the counter, which counts down and reloads itself until the scan finishes. The counter then reloads itself in preparation for the next STARTSCAN pulse.

A/D conversions generated by an internal or external CONVERT\* signal are inhibited unless they occur within a sequence. Scans occurring within a sequence can be gated by either the hardware AIGATE signal or the software command register gate.

## AIGATE Signal

Any PFI pin can externally input the AIGATE signal, which is not available as an output on the I/O connector. AIGATE can mask off scans in a sequence. You can configure the PFI pin you select as the source for AIGATE in level-detection mode. You can configure the polarity selection for the PFI pin as either active high or active low.

In level-detection mode, the STARTSCAN signal is masked off and no scans can occur.

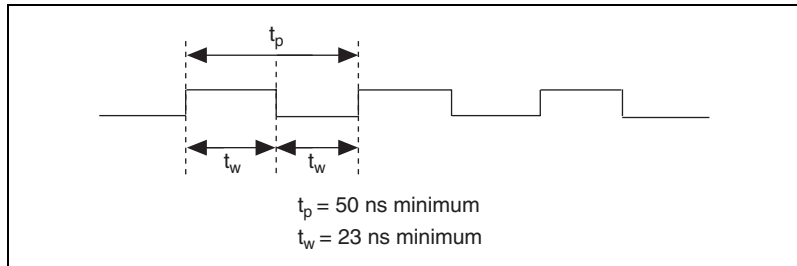
AIGATE can neither stop a scan in progress nor continue a previously gated-off scan. In other words, once a scan has started, AIGATE does not gate off conversions until the beginning of the next scan. Conversely, if conversions are gated off, AIGATE does not gate them back on until the beginning of the next scan.

## SISOURCE Signal

Any PFI pin can externally input the SISOURCE signal, which is not available as an output on the I/O connector. The onboard scan interval (SI) counter uses SISOURCE as a clock to time the generation of the STARTSCAN signal. Configure the PFI pin you select as the source for SISOURCE in level-detection mode. Configure the polarity selection for the PFI pin for either active high or active low.

The maximum allowed frequency is 20 MHz, with a minimum pulse width of 23 ns high or low. There is no minimum frequency.

Either the 20 MHz or 100 kHz internal timebase generates SISOURCE unless you select an external source. Figure 4-25 shows the timing requirements for SISOURCE.



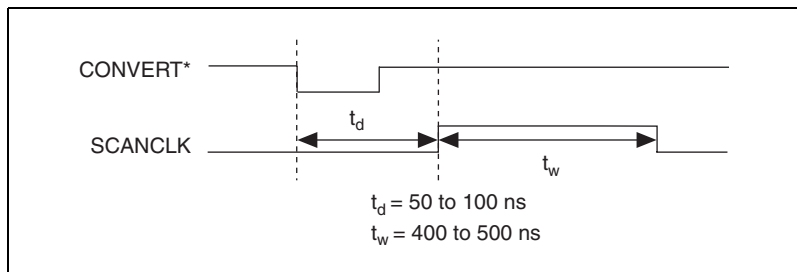
**Figure 4-25.** SISOURCE Signal Timing

## SCANCLK Signal

SCANCLK is an output-only signal that generates a pulse with the leading edge occurring approximately 50 to 100 ns after an A/D conversion begins. The polarity of this output is software configurable, but the polarity is typically configured so that a low-to-high leading edge can clock external analog input multiplexers indicating when the input signal has been sampled and can be removed. This signal has a 400 to 500 ns pulse width and is software enabled. Figure 4-26 shows the timing for SCANCLK.



**Note** The polarity of SCANCLK is not software-selectable when programmed using NI-DAQ. It is a positive polarity pulse.



**Figure 4-26.** SCANCLK Signal Timing

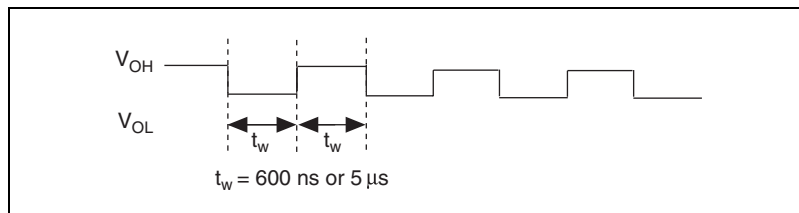


## EXTSTROBE\* Signal

EXTSTROBE\* is an output-only signal that generates either a single pulse or a sequence of eight pulses in the hardware-strobe mode. An external device can use this signal to latch signals or to trigger events. In the single-pulse mode, the application software controls the level of EXTSTROBE\*. A 10  $\mu\text{s}$  and a 1.2  $\mu\text{s}$  clock are available for generating a sequence of eight pulses in the hardware-strobe mode. Figure 4-27 shows the timing for the hardware-strobe mode EXTSTROBE\* signal.



**Note** You cannot control EXTSTROBE using NI-DAQ.



**Figure 4-27.** EXTSTROBE\* Signal Timing

## Waveform Generation Timing Connections

The analog group defined for the device is controlled by WFTRIG, UPDATE\*, and UISOURCE.

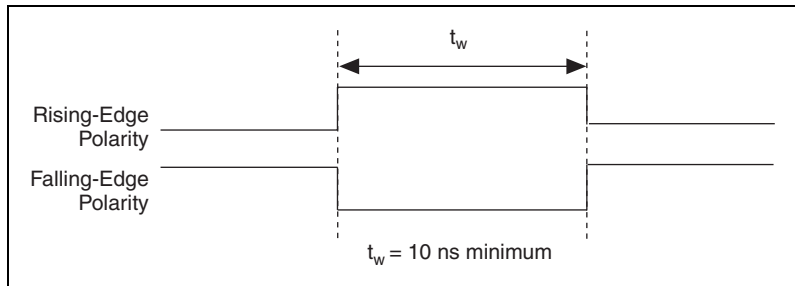
### WFTRIG Signal

Any PFI pin can externally input the WFTRIG signal, which is available as an output on the PFI6/WFTRIG pin.

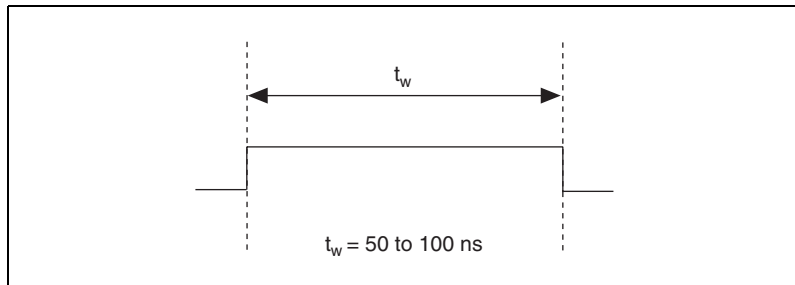
As an input, WFTRIG is configured in the edge-detection mode. You can select any PFI pin as the source for WFTRIG and configure the polarity selection for either rising or falling edge. The selected edge of WFTRIG starts the waveform generation for the DACs. If you select internally generated UPDATE\*, the update interval (UI) counter starts.

As an output, WFTRIG reflects the trigger that initiates waveform generation, even if the waveform generation is externally triggered by another PFI. The output is an active high pulse with a pulse width of 50 to 100 ns. This output is set to high-impedance at startup.

Figures 4-28 and 4-29 show the input and output timing requirements for WFTRIG.



**Figure 4-28.** WFTRIG Input Signal Timing



**Figure 4-29.** WFTRIG Output Signal Timing

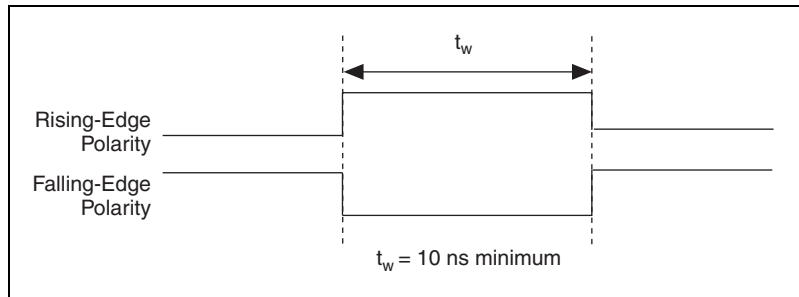
## UPDATE\* Signal

Any PFI pin can externally input the UPDATE\* signal, which is available as an output on the PFI5/UPDATE\* pin.

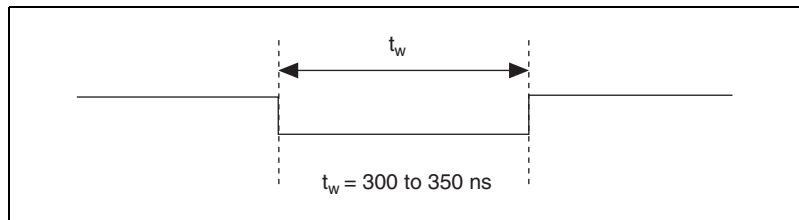
As an input, UPDATE\* is configured in the edge-detection mode. You can select any PFI pin as the source for UPDATE\* and configure the polarity selection for either rising or falling edge. The selected edge of UPDATE\* updates the outputs of the DACs. To use UPDATE\*, you must set the DACs to posted-update mode.

As an output, UPDATE\* reflects the actual update pulse connected to the DACs, even if the updates are externally generated by another PFI. The output is an active low pulse with a pulse width of 300 to 350 ns. This output is set to high-impedance at startup.

Figures 4-30 and 4-31 show the input and output timing requirements for UPDATE\*.



**Figure 4-30.** UPDATE\* Input Signal Timing



**Figure 4-31.** UPDATE\* Output Signal Timing

The DACs are updated within 100 ns of the leading edge. Separate the UPDATE\* pulses with enough time so that new data can be written to the DAC latches.

The NI 6052E UI counter normally generates UPDATE\* unless you select an external source. The UI counter is started by the WFTRIG signal and can be stopped by the application software or the internal buffer counter (BC).

D/A conversions generated by an internal or external UPDATE\* signal do not occur when gated by the software command register gate.

When using an external UPDATE\* signal, supply at least one more external update pulse than the number of points you want to generate. Otherwise, the device does not indicate that the waveform generation is complete.

## UISOURCE Signal

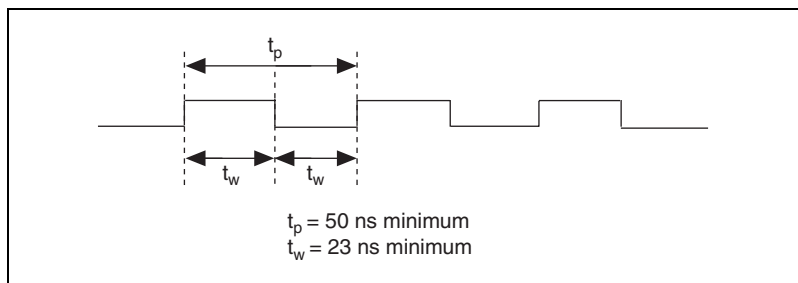
Any PFI pin can externally input the UISOURCE signal, which is not available as an output on the I/O connector.

The UI counter uses UISOURCE as a clock to time the generation of the UPDATE\* signal. You must configure the PFI pin you select as the source for UISOURCE in the level-detection mode. You can configure the polarity selection for the PFI pin for either active high or active low.

The maximum allowed frequency is 20 MHz, with a minimum pulse width of 23 ns high or low. There is no minimum frequency.

Either the 20 MHz or 100 kHz internal timebase normally generates UISOURCE unless you select an external source.

Figure 4-32 shows the timing requirements for UISOURCE.



**Figure 4-32.** UISOURCE Signal Timing

## General-Purpose Timing Signal Connections

The general-purpose timing signals are as follows:

- [GPCTR0\\_SOURCE Signal](#)
- [GPCTR0\\_GATE Signal](#)
- [GPCTR0\\_OUT Signal](#)
- [GPCTR0\\_UP\\_DOWN Signal](#)
- [GPCTR1\\_SOURCE Signal](#)
- [GPCTR1\\_GATE Signal](#)
- [GPCTR1\\_OUT Signal](#)
- [GPCTR1\\_UP\\_DOWN Signal](#)
- [FREQ\\_OUT Signal](#)

## GPCTRO\_SOURCE Signal

Any PFI pin can externally input the GPCTRO\_SOURCE signal, which is available as an output on the PFI8/GPCTRO\_SOURCE pin.

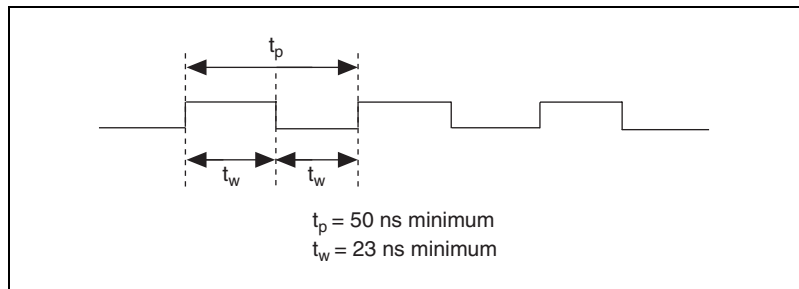
As an input, the GPCTRO\_SOURCE signal is configured in the edge-detection mode. You can select any PFI pin as the source for GPCTRO\_SOURCE and configure the polarity selection for either rising or falling edge.

As an output, GPCTRO\_SOURCE reflects the actual clock connected to general-purpose counter 0, even if another PFI externally inputs the source clock. This output is set to high-impedance at startup.

The maximum allowed frequency is 20 MHz, with a minimum pulse width of 23 ns high or low. There is no minimum frequency.

The 20 MHz or 100 kHz timebase normally generates GPCTRO\_SOURCE unless you select some external source.

Figure 4-33 shows the timing requirements for GPCTRO\_SOURCE.



**Figure 4-33.** GPCTRO\_SOURCE Signal Timing

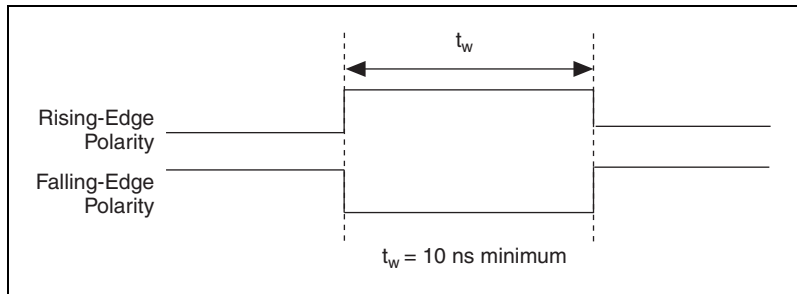
## GPCTRO\_GATE Signal

Any PFI pin can externally input GPCTRO\_GATE, which is available as an output on the PFI9/GPCTRO\_GATE pin.

As an input, GPCTRO\_GATE is configured in the edge-detection mode. You can select any PFI pin as the source for GPCTRO\_GATE and configure the polarity selection for either rising or falling edge. You can use the gate signal in different applications to perform actions such as starting and stopping the counter, generating interrupts, and saving the counter contents.

As an output, GPCTR0\_GATE reflects the actual gate signal connected to general-purpose counter 0, even if the gate is externally generated by another PFI. This output is set to high-impedance at startup.

Figure 4-34 shows the timing requirements for GPCTR0\_GATE.

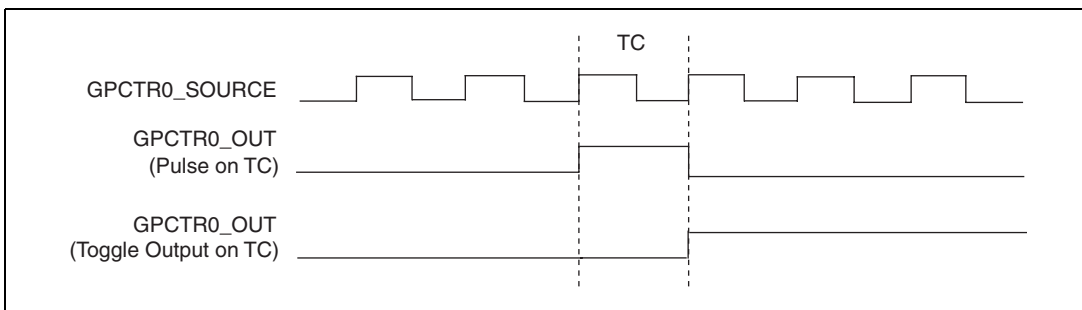


**Figure 4-34.** GPCTR0\_GATE Signal Timing

## GPCTR0\_OUT Signal

This signal is available only as an output on the GPCTR0\_OUT pin. GPCTR0\_OUT reflects the terminal count (TC) of general-purpose counter 0. You have two software-configurable output options—pulse on TC and toggle output polarity on TC. The output polarity is software configurable for both options. This output is set to high-impedance at startup.

Figure 4-35 shows the timing of GPCTR0\_OUT.



**Figure 4-35.** GPCTR0\_OUT Signal Timing

## GPCTR0\_UP\_DOWN Signal

This signal can be externally input on the DIO6 pin and is not available as an output on the I/O connector. The general-purpose counter 0 counts down

when this pin is at a logic low, and it counts up when it is at a logic high. You can disable this input so that the application software controls the up-down functionality and leave the DIO6 pin free for general use.

## GPCTR1\_SOURCE Signal

Any PFI pin can externally input the GPCTR1\_SOURCE signal, which is available as an output on the PFI3/GPCTR1\_SOURCE pin.

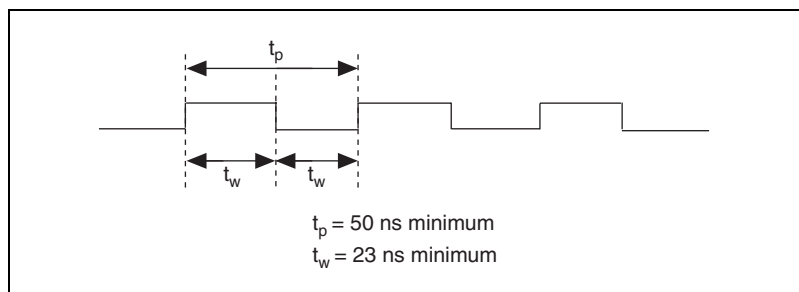
As an input, GPCTR1\_SOURCE is configured in the edge-detection mode. You can select any PFI pin as the source for GPCTR1\_SOURCE and configure the polarity selection for either rising or falling edge.

As an output, GPCTR1\_SOURCE monitors the actual clock connected to general-purpose counter 1, even if the source clock is externally generated by another PFI. This output is set to high-impedance at startup.

The maximum allowed frequency is 20 MHz, with a minimum pulse width of 23 ns high or low. There is no minimum frequency.

The 20 MHz or 100 kHz timebase normally generates GPCTR1\_SOURCE unless you select some external source.

Figure 4-36 shows the timing requirements for GPCTR1\_SOURCE.



**Figure 4-36.** GPCTR1\_SOURCE Signal Timing

## GPCTR1\_GATE Signal

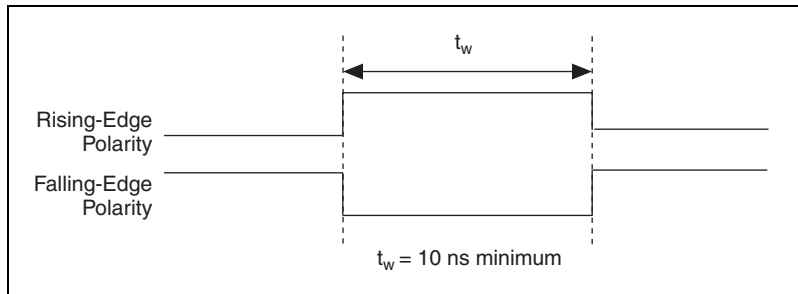
Any PFI pin can externally input the GPCTR1\_GATE signal, which is available as an output on the PFI4/GPCTR1\_GATE pin.

As an input, GPCTR1\_GATE is configured in edge-detection mode. You can select any PFI pin as the source for GPCTR1\_GATE and configure the polarity selection for either rising or falling edge. You can use the gate

signal in a variety of applications to perform actions such as starting and stopping the counter, generating interrupts, and saving the counter contents.

As an output, GPCTR1\_GATE monitors the actual gate signal connected to general-purpose counter 1, even if the gate is externally generated by another PFI. This output is set to high-impedance at startup.

Figure 4-37 shows the timing requirements for GPCTR1\_GATE.

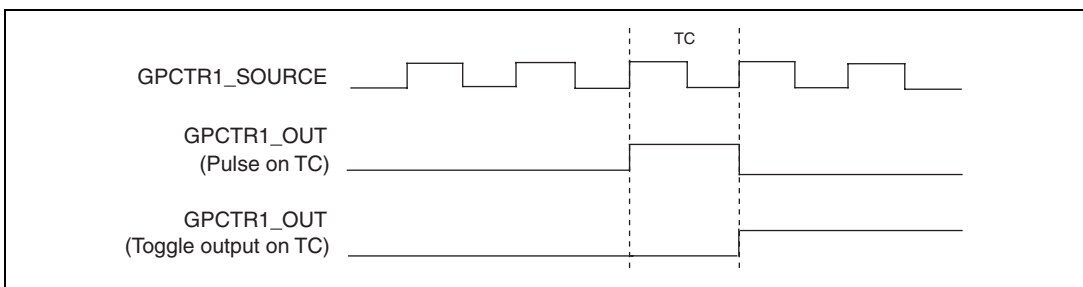


**Figure 4-37.** GPCTR1\_GATE Signal Timing

## GPCTR1\_OUT Signal

This signal is available only as an output on the GPCTR1\_OUT pin. The GPCTR1\_OUT signal monitors the TC device general-purpose counter 1. You have two software-configurable output options—pulse on TC and toggle output polarity on TC. The output polarity is software configurable for both options. This output is set to high-impedance at startup.

Figure 4-38 shows the timing requirements for GPCTR1\_OUT.



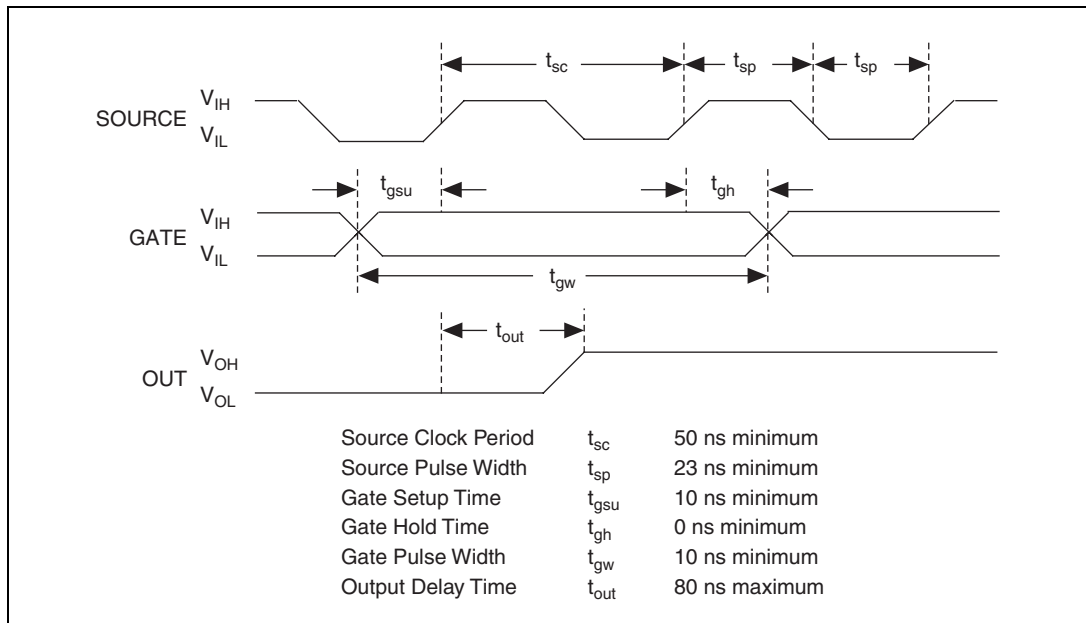
**Figure 4-38.** GPCTR1\_OUT Signal Timing



## GPCTR1\_UP\_DOWN Signal

This signal can be externally input on the DIO7 pin and is not available as an output on the I/O connector. General-purpose counter 1 counts down when this pin is at a logic low and counts up at a logic high. You can disable this input so that the application software controls the up-down functionality and leave the DIO7 pin free for general use.

Figure 4-39 shows the timing requirements for the GATE and SOURCE input signals and the timing specifications for the OUT output signals of the device.



**Figure 4-39.** GPCTR Timing Summary

The GATE and OUT signal transitions shown in Figure 4-39 are referenced to the rising edge of the SOURCE signal. This timing diagram assumes that the counters are programmed to count rising edges. If you program the counter to count falling edges, the source signal is inverted and referenced to the falling edge of the source signal in Figure 4-39.

The GATE input timing parameters are referenced to the signal at the SOURCE input or to one of the internally generated signals on the device. Figure 4-39 shows the GATE signal referenced to the rising edge of a source signal. The gate must be valid (either high or low) for at least 10 ns before the rising or falling edge of a source signal for the gate to take effect

at that source edge, as shown by  $t_{\text{gsu}}$  and  $t_{\text{gh}}$  in Figure 4-39. The gate signal is not required to be held after the active edge of the source signal.

If you use an internal timebase clock, the gate signal cannot be synchronized with the clock. In this case, gates applied close to a source edge take effect either on that source edge or on the next one. This arrangement results in an uncertainty of one source clock period with respect to unsynchronized gating sources.

The OUT output timing parameters are referenced to the signal at the SOURCE input or to one of the internally generated clock signals on the NI 6052E. Figure 4-39 shows the OUT signal referenced to the rising edge of a source signal. Any OUT signal state changes occur within 80 ns after the rising or falling edge of the source signal.

## FREQ\_OUT Signal

This signal, generated by the NI 6052E frequency generator, is available only as an output on the FREQ\_OUT pin. The frequency generator is a 4-bit counter that can divide its input clock by the numbers 1 through 16. The input clock of the frequency generator is software configurable from the internal 10 MHz and 100 kHz timebases. The output polarity is software configurable. This output is set to high-impedance at startup.

## Field Wiring Considerations

---

Environmental noise can seriously affect the accuracy of measurements if you do not take proper care when running signal wires between signal sources and the device.

The following recommendations mainly apply to AI signal routing to the device, although they also apply to signal routing in general:

- Use differential input connections to reject common-mode noise.
- Use individually shielded, twisted-pair wires to connect AI signals to the device. With this type of wire, the signals attached to the CH+ and CH- inputs are twisted together and then covered with a shield. You then connect this shield only at one point to the signal source ground. This kind of connection is required for signals traveling through areas with large magnetic fields or high electromagnetic interference.
- Route signals to the device carefully. Keep cabling away from noise sources. The most common noise source in a computer-based DAQ system is the video monitor. Separate the monitor from the analog signals as far as possible.

The following recommendations apply for all signal connections to the device:

- Separate NI 6052E signal lines from high-current or high-voltage lines. These lines can induce currents in or voltages on the NI 6052E signal lines if they run in parallel paths at a close distance.

To reduce the magnetic coupling between lines, separate them by a reasonable distance if they run in parallel or run the lines at right angles to each other.

- Do *not* run signal lines through conduits that also contain power lines.
- Protect signal lines from magnetic fields caused by electric motors, welding equipment, breakers, or transformers by running them through special metal conduits.

Refer to the NI Developer Zone tutorial, *Field Wiring and Noise Consideration for Analog Signals*, available at [ni.com/zone](http://ni.com/zone).

---

# Calibration

This chapter discusses the calibration procedure for the device.

Calibration is the process of minimizing measurement and output voltage errors by making small circuit adjustments. On the NI 6052E, these adjustments take the form of writing values to onboard calibration DACs (CalDACs). NI-DAQ includes calibration functions for performing all the steps in the calibration process.

Some form of device calibration is required for most applications. If you do not calibrate the device, the signals and measurements could have large offset, gain, and linearity errors.

Three available levels of calibration are described in this chapter. The first level, *Loading Calibration Constants*, is the fastest, easiest, and least accurate. The last level, *External Calibration*, is the slowest, most difficult, and most accurate. Choose a level according to the demands of your application.

---

## Loading Calibration Constants

Before shipment, the device is factory-calibrated at approximately 25 °C to the levels indicated in Appendix A, *Specifications*. The associated calibration constants—the values written to the CalDACs to achieve calibration in the factory—are stored in the onboard nonvolatile memory (EEPROM). Because the CalDACs have no memory capability, they do not retain calibration information when the device is unpowered. Loading calibration constants is the process of loading the CalDACs with the values stored in the EEPROM. NI-DAQ determines when this is necessary and automatically loads calibration constants. If you are not using NI-DAQ, you must load these values.

In the EEPROM there is a user-modifiable calibration area in addition to the permanent factory calibration area. You can load the CalDACs with values either from the original factory calibration or from a calibration that you subsequently performed.

This method of calibration is somewhat inaccurate because it does not account for device measurement and output voltage errors, which can vary with time and temperature. You should self-calibrate when the device is installed in the environment in which it will be used.

## Self-Calibration

---

The device can measure and correct for almost all of its calibration-related errors without any external signal connections. NI software provides a self-calibration method, which generally takes less than a minute and is the preferred method of ensuring accuracy in your application. Initiate self-calibration to minimize the effects of any offset, gain, and linearity drifts, particularly those due to the device not being fully warmed up.

Immediately after self-calibration, the only significant residual calibration error could be gain error due to time or temperature drift of the onboard voltage reference. This error is addressed by external calibration, which is discussed in the following section. If you are interested primarily in relative measurements, you can ignore a small amount of gain error, and self-calibration is sufficient.

## External Calibration

---

The device has an onboard calibration reference to ensure the accuracy of self-calibration. Its specifications are listed in Appendix A, *Specifications*. The reference voltage is measured at the factory and stored in the EEPROM for subsequent self-calibrations. This voltage is stable enough for most applications, but if you are using the device at an extreme temperature or if the onboard reference has not been measured for a year or more, you can externally calibrate the device.

External calibration is the process of calibrating the device with a known external reference rather than relying on the onboard reference. Redetermining the value of the onboard reference is part of this process, and you can save the results in the EEPROM, so you will not need to externally calibrate often. You can externally calibrate the device by calling the NI-DAQ calibration function.

To externally calibrate the device, be sure to use a very accurate external reference. The reference should be several times more accurate than the device itself. For example, to calibrate a 16-bit device, the external reference should be at least  $\pm 0.001\%$  ( $\pm 10$  ppm) accurate.

For a detailed calibration procedure for the NI 6052E, refer to the *E Series Calibration Procedure* by clicking **Manual Calibration Procedures** at [ni.com/calibration](http://ni.com/calibration).

## Other Considerations

---

The CalDACs adjust the gain error of each AO channel by adjusting the value of the reference voltage supplied to that channel. This calibration mechanism is designed to work only with the internal 10 V reference. Therefore, in general, it is not possible to calibrate the AO gain error when using an external reference. In this case, account for the nominal gain error of the AO channel either in software or with external hardware. Refer to Appendix A, *Specifications*, for information on AO gain error.

Gain error and offset error are temperature dependent. Turn on the NI 6052E for the recommended warmup time in a stable temperature environment before calibrating the device. Refer to Appendix A, *Specifications*, to determine the warm-up time. Calibrate the device at the temperature at which it operates.

## Specifications

This appendix lists the specifications of the NI 6052E. These specifications are typical at 25 °C unless otherwise noted.

### Analog Input

#### Input Characteristics

Number of channels

PCI/PXI-6052E,  
DAQPad-6052E ..... 16 single-ended or 8 differential  
(software-selectable)

Type of ADC..... Successive approximation

Resolution ..... 16 bits, 1 in 65,536

Max sampling rate..... 333 kS/s guaranteed

Input signal ranges

Device Gain (Software-Selectable)	Device Range (Software-Selectable)	
	Bipolar	Unipolar
0.5	±10 V	—
1	±5 V	0 to 10 V
2	±2.5 V	0 to 5 V
5	±1 V	0 to 2 V
10	±500 mV	0 to 1 V
20	±250 mV	0 to 500 mV
50	±100 mV	0 to 200 mV
100	±50 mV	0 to 100 mV

## NI 6052E Accuracy Information

Nominal Range (V)		Absolute Accuracy							Relative Accuracy	
		% of Reading			Offset	Noise + Quantization (µV)		Temp Drift	Resolution (µV)	
Positive FS	Negative FS	24 Hours	90 Days	1 Year	(µV)	Single Pt.	Avg.	(%/°C)	Single Pt.	Avg.
10	-10	0.0304	0.0312	0.0321	1067	981	87.0	0.0006	1145	115
5	-5	0.0054	0.0062	0.0071	536	491	43.5	0.0001	573	57.3
2.5	-2.5	0.0304	0.0312	0.0321	271	245	21.7	0.0006	286	28.6
1	-1	0.0304	0.0312	0.0321	111	98.1	8.7	0.0006	115	11.5
0.5	-0.5	0.0304	0.0312	0.0321	58.1	56.2	5.0	0.0006	66.3	6.6
0.25	-0.25	0.0304	0.0312	0.0321	31.6	32.8	3.0	0.0006	39.2	3.9
0.1	-0.1	0.0304	0.0312	0.0321	15.6	22.4	2.1	0.0006	27.7	2.8
0.05	-0.05	0.0304	0.0312	0.0321	10.3	19.9	1.9	0.0006	25.3	2.5
10	0	0.0054	0.0062	0.0071	536	491	43.5	0.0001	573	57.3
5	0	0.0304	0.0312	0.0321	271	245	21.7	0.0006	286	28.6
2	0	0.0304	0.0312	0.0321	111	98.1	8.7	0.0006	115	11.5
1	0	0.0304	0.0312	0.0321	58.1	56.2	5.0	0.0006	66.3	6.6
0.5	0	0.0304	0.0312	0.0321	31.6	39.8	3.0	0.0006	48.2	3.9
0.2	0	0.0304	0.0312	0.0321	15.6	22.4	2.1	0.0006	27.7	2.8
0.1	0	0.0304	0.0312	0.0321	10.3	19.9	1.9	0.0006	25.3	2.5

**Note:** Accuracies are valid for measurements following an internal E Series calibration. Averaged numbers assume dithering and averaging of 100 single-channel readings.

Measurement accuracies are listed for operational temperatures within  $\pm 1$  °C of internal calibration temperature and  $\pm 10$  °C of external or factory calibration temperature.

Input coupling.....DC

Max working voltage  
(signal + common-mode).....Each input should remain  
within  $\pm 11$  V of ground

Overvoltage protection ..... $\pm 25$  V powered on,  
 $\pm 15$  V powered off



Inputs protected	
NI PCI/PXI-6052E, DAQPad-6052E .....	ACH<0..15>, AISENSE
FIFO buffer size .....	512 samples
Data transfers .....	DMA, interrupts, programmed I/O
DMA modes .....	Scatter-gather
Configuration memory size.....	512 words

## Transfer Characteristics

Relative accuracy .....	$\pm 1.5$ LSB typ, $\pm 3.0$ LSB max
DNL .....	$\pm 0.5$ LSB typ, $\pm 1.0$ LSB max
No missing codes .....	16 bits, guaranteed
Offset error	
Pregain error after calibration .....	$\pm 1.0$ $\mu$ V max
Pregain error before calibration .....	$\pm 2.6$ mV max
Postgain error after calibration .....	$\pm 76$ $\mu$ V
Postgain error before calibration.....	$\pm 82$ mV
Gain error (relative to calibration reference)	
After calibration (gain = 1) .....	$\pm 30.5$ ppm of reading max
Before calibration .....	$\pm 22,000$ ppm of reading max
Gain $\neq 1$ with gain error adjusted to 0 at gain = 1 .....	$\pm 200$ ppm of reading max

## Amplifier Characteristics

Input impedance	
Normal powered on .....	100 $\Omega$ in parallel with 100 pF
Powered off .....	820 $\Omega$ min
Overload.....	820 $\Omega$ min
Input bias current .....	$\pm 200$ pA
Input offset current.....	$\pm 100$ pA

CMRR, DC to 60 Hz

Gain = 0.5 .....	92 dB
Gain = 1 .....	97 dB
Gain = 2 .....	101 dB
Gain = 5 .....	104 dB
Gain ≥ 10 .....	105 dB

## Dynamic Characteristics

Bandwidth

Small signal (−3 dB).....	480 kHz
Large signal (1% THD).....	500 kHz

Dynamic range.....87 dB, ±10 V input,  
 gain 0.5 to 5  
 83 dB, gain 10

Settling time for full-scale step

Full-Scale Step Accuracy	Settling Time <sup>1</sup>
±16 LSB	3 μs typical
±4 LSB	4 μs max
±2 LSB	5 μs max, gain 0.5 to 10 8 μs max, gain 20 to 50 10 μs max, gain 100
±1 LSB	10 μs max, gain 0.5 to 5 15 μs max, gain 10 to 100
±1/2 LSB	20 μs typical

<sup>1</sup> Settling times valid for source impedances < 1 kΩ. Refer to the [Multiple-Channel Scanning Considerations](#) section of Chapter 3, [Hardware Overview](#), for more information.

## System noise (including quantization noise)

Gain	Noise
0.5 to 5	0.95 LSB <sub>rms</sub>
10	1.1 LSB <sub>rms</sub>
20	1.3 LSB <sub>rms</sub>
50	2.3 LSB <sub>rms</sub>
100	4.2 LSB <sub>rms</sub>

## Crosstalk (DC to 100 kHz)

Adjacent channels .....	-75 dB
All other channels .....	-90 dB

**Stability**

## Recommended warm-up time

NI PCI/PXI-6052E, DAQPad-6052E .....	15 min
---	--------

## Offset temperature coefficient

Pregain .....	$\pm 4 \mu\text{V}/^\circ\text{C}$
Bipolar postgain .....	$\pm 120 \mu\text{V}/^\circ\text{C}$
Unipolar postgain.....	$\pm 30 \mu\text{V}/^\circ\text{C}$

Gain temperature coefficient.....  $\pm 17 \text{ ppm}/^\circ\text{C}$ 

## Onboard calibration reference

Level .....	5.000 V ( $\pm 1.0 \text{ mV}$ ) (over full operating temperature, actual value stored in EEPROM)
Temperature coefficient .....	$\pm 0.6 \text{ ppm}/^\circ\text{C max}$
Long-term stability .....	$\pm 6 \text{ ppm}/\sqrt{1,000\text{h}}$

**Analog Output****Output Characteristics**

Number of channels ..... 2 voltage

Resolution ..... 16 bits, 1 in 65,536

Max update rate .....333 kS/s  
 Type of DAC .....Double buffered, multiplying  
 FIFO buffer size.....2,048 samples  
 Data transfers .....DMA, interrupts,  
 programmed I/O  
 DMA modes .....Scatter-gather

## NI PCI/PXI-6052E and DAQPad-6052E Accuracy Information

Nominal Range (V)		Absolute Accuracy				
		% of Reading			Offset	Temp Drift
Positive FS	Negative FS	24 Hrs	90 Days	1 Year	( $\mu$ V)	(%/°C)
10	-10	0.0044%	0.0052%	0.0061%	$\pm 798 \mu$ V	0.0001%
10	0	0.0044%	0.0052%	0.0061%	$\pm 569 \mu$ V	0.0001%

Absolute Accuracy = (% of Reading  $\times$  Voltage) + Offset + (Temp Drift  $\times$  Voltage)

**Note:** Temp drift applies only if ambient is greater than  $\pm 10$  °C of previous external calibration.

## Transfer Characteristics

### Relative accuracy (INL)

After calibration..... $\pm 0.35$  LSB typ,  $\pm 1.0$  LSB max  
 Before calibration ..... $\pm 4$  LSB max

### DNL

After calibration..... $\pm 0.5$  LSB typ,  $\pm 1.0$  LSB max  
 Before calibration ..... $\pm 3$  LSB max

Monotonicity .....16 bits, guaranteed after  
 calibration

### Offset error

After calibration..... $\pm 305 \mu$ V max  
 Before calibration ..... $\pm 17$  mV max

Gain error (relative to internal reference)  
 After calibration .....  $\pm 30.5$  ppm of output max  
 Before calibration .....  $\pm 9,000$  ppm of output max

Gain error  
 (relative to external reference) ..... +0% to +0.5% of output  
 max, not adjustable

## Voltage Output

Ranges .....  $\pm 10$  V, 0 to 10 V,  $\pm$  EXTREF,  
 0 to EXTREF  
 (software-selectable)

Output coupling ..... DC

Output impedance .....  $0.1 \Omega$  max

Current drive .....  $\pm 5$  mA max

Protection ..... Short-circuit to ground

Power-on state ..... 0 V ( $\pm 20$  mV)

External reference input

Range .....  $\pm 11$  V

Overvoltage protection .....  $\pm 25$  V powered on,  
 $\pm 15$  V powered off

Input impedance .....  $10 \text{ k}\Omega$

Bandwidth ( $-3$  dB) ..... 3 kHz

Slew rate .....  $0.3 \text{ V}/\mu\text{s}$

## Dynamic Characteristics

Settling time for full-scale step .....  $3.5 \mu\text{s}$  to  $\pm 1.0$  LSB accuracy

Settling time for half-scale step .....  $3.0 \mu\text{s}$  to  $\pm 1.0$  LSB accuracy

Slew rate .....  $15 \text{ V}/\mu\text{s}$

Noise .....  $60 \mu\text{V}_{\text{rms}}$ , DC to 1 MHz

Glitch energy (at midscale transition)  
 Magnitude.....10 mV  
 Duration.....1 ms

### Stability

Offset temperature coefficient .....±35 µV/°C

Gain temperature coefficient

Internal reference.....±6.5 ppm/°C

External reference.....±5 ppm/°C

Onboard calibration reference

Level.....5.000 V (±1.0 mV)  
 (over full operating temperature,  
 actual value stored in EEPROM)

Temperature coefficient.....±0.6 ppm/°C max

Long-term stability .....±6 ppm/ $\sqrt{1,000h}$

### Digital I/O

Number of channels.....8 input/output

Compatibility .....TTL/CMOS

Digital logic levels

Level	Min	Max
Input low voltage	0 V	0.8 V
Input high voltage	2 V	5 V
Input low current ( $V_{in} = 0$ V)	—	-320 µA
Input high current ( $V_{in} = 5$ V)	—	10 µA
Output low voltage ( $I_{OL} = 24$ mA)	—	0.4 V
Output high voltage ( $I_{OH} = 13$ mA)	4.35 V	—

Power-on state .....Input (high-impedance)

Data transfers .....Programmed I/O

Max transfer rate ..... 50 kwords/s, system dependent  
 Constant sustainable rate..... 1 to 10 kwords/s, typ

## Timing I/O

Number of channels ..... 2 up/down counter/timers,  
 1 frequency scaler

### Resolution

Counter/timers ..... 24 bits

Frequency scalars..... 4 bits

Compatibility ..... TTL/CMOS

### Base clocks available

Counter/timers ..... 20 MHz, 100 kHz

Frequency scalars..... 10 MHz, 100 kHz

Base clock accuracy .....  $\pm 0.01\%$

Max source frequency ..... 20 MHz

Min source pulse duration..... 10 ns in edge-detect mode

Min gate pulse duration..... 10 ns in edge-detect mode

Data transfers ..... DMA, interrupts,  
 programmed I/O

DMA modes ..... Scatter-gather

## Triggers

### Analog Trigger

#### Source

NI PCI/PXI-6052E,

DAQPad-6052E ..... ACH<0..15>, PFI0/TRIG1

Level.....  $\pm$  full-scale, internal;  
 $\pm 10$  V, external

Slope..... Positive or negative  
 (software selectable)

Resolution .....	12 bits, 1 in 4,096
Hysteresis .....	Programmable
Bandwidth (–3 dB) .....	700 kHz internal, 700 kHz external
External input (PFI0/TRIG1)	
Impedance .....	10 k $\Omega$
Coupling .....	DC
Protection .....	–0.5 to $V_{CC}$ +0.5 V when configured as a digital signal, $\pm 35$ V when configured as an analog trigger signal or disabled, $\pm 35$ V powered off
Accuracy .....	$\pm 1.0\%$ of full scale range max

## Digital Trigger

Compatibility .....	TTL
Response .....	Rising or falling edge
Pulse width .....	10 ns min

## RTSI

Trigger lines	
NI PCI/PXI-6052E .....	7
DAQPad-6052E .....	4
Clock line .....	1

## Bus Interface

Type	
NI PCI/PXI-6052E .....	Master, slave
DAQPad-6052E .....	Master, slave, asynchronous, 400 Mb/s



## Power Requirement

Power available at I/O connector .....	+4.65 VDC to +5.25 VDC at 1 A
NI PCI/PXI-6052E	
+5 VDC ( $\pm 5\%$ ).....	1.3 A (does not include current drawn from 5 V fuse on I/O connector)
DAQPad-6052E	
9–24 VDC .....	20 $\Omega$

## Physical

Dimensions (not including connectors)

NI PCI-6052E .....	17.5 by 10.6 cm (6.9 by 4.2 in.)
NI PXI-6052E .....	16 by 10 cm (6.3 by 3.9 in.)
DAQPad-6052E .....	30.7 by 25.4 by 4.3 cm (12.1 by 10 by 1.7 in.)

I/O connector

NI PCI/PXI-6052E.....	68-pin male SCSI-II type
DAQPad-6052E .....	68-pin male SCSI-II type, or 15 BNCs and 30 removable screws

## Maximum Working Voltage

Maximum working voltage refers to the signal voltage plus the common-mode voltage.

Channel-to-earth.....	42 V, Installation Category II
Channel-to-channel .....	42 V, Installation Category II

## Environmental

Operating temperature.....	0 to 55 °C
Storage temperature .....	–20 to 70 °C
Humidity .....	5 to 90% RH, noncondensing
Maximum altitude .....	2,000 m
Pollution degree (indoor use only).....	2

## Safety

The NI 6052E meets the requirements of the following standards for safety and electrical equipment for measurement, control, and laboratory use:

- EN 61010-1:1993/A2:1995, IEC 61010-1:1990/A2:1995
- UL 3101-1:1993, UL 3111-1:1994, UL 3121:1998
- CAN/CSA c22.2 no. 1010.1:1992/A2:1997

## Electromagnetic Compatibility

CE, C-Tick, and FCC Part 15 (Class A) Compliant

Electrical emissions .....EN 55011 Class A at 10 m  
FCC Part 15A above 1 GHz

Electrical immunity .....Evaluated to EN 61326:1997/  
A1:1998, Table 1



**Note** For full EMC compliance, you must operate this device with shielded cabling. In addition, all covers and filler panels must be installed. Refer to the DoC for this product for any additional regulatory compliance information. To obtain the DoC for this product, click **Declaration of Conformity** at [ni.com/hardref.nsf/](http://ni.com/hardref.nsf/). This Web site lists the DoCs by product family. Select the appropriate product family, followed by your product, and a link to the DoC appears in Adobe Acrobat format. Click the Acrobat icon to download or read the DoC.

---

## Custom Cabling and Optional Connectors

This appendix describes the cabling and connector options.

### Custom Cabling

---

NI offers cables and accessories for use in prototyping your application or for use if you frequently change device interconnections.

If you want to develop your own cable, however, use the following guidelines:

- For the AI signals, use shielded twisted-pair wires for each AI pair, assuming that you use differential inputs. Connect the shield for each signal pair to the ground reference at the source.
- Route the analog lines separately from the digital lines.
- When using a cable shield, use separate shields for the analog and digital halves of the cable. Failure to do so results in noise coupling into the analog signals from transient digital signals.

Mating connectors and a backshell kit for making custom 68-pin cables are available from NI. The following list gives recommended part numbers for other connectors that mate to the I/O connector on the NI 6052E:

- Honda 68-position, solder cup, female connector
- Honda backshell

# Optional Connectors

Refer to Figure 4-1, *I/O Connector Pin Assignment for the NI 6052E*, for the pin assignments for the 68-pin connector. This connector is available when you use the SH6868EP or R6868 cable assemblies with the NI 6052E.

Figure B-1 shows the pin assignments for the 50-pin connector. This connector is available when you use the SH6850 or R6850 cable assemblies.

AIGND	1	2	AIGND
ACH0	3	4	ACH8
ACH1	5	6	ACH9
ACH2	7	8	ACH10
ACH3	9	10	ACH11
ACH4	11	12	ACH12
ACH5	13	14	ACH13
ACH6	15	16	ACH14
ACH7	17	18	ACH15
AISENSE	19	20	DAC0OUT
DAC1OUT	21	22	EXTREF
AOGND	23	24	DGND
DIO0	25	26	DIO4
DIO1	27	28	DIO5
DIO2	29	30	DIO6
DIO3	31	32	DIO7
DGND	33	34	+5V
+5V	35	36	SCANCLK
EXTSTROBE*	37	38	PFI0/TRIG1
PFI1/TRIG2	39	40	PFI2/CONVERT*
PFI3/GPCTR1_SOURCE	41	42	PFI4/GPCTR1_GATE
GPCTR1_OUT	43	44	PFI5/UPDATE*
PFI6/WFTRIG	45	46	PFI7/STARTSCAN
PFI8/GPCTR0_SOURCE	47	48	PFI9/GPCTR0_GATE
GPCTR0_OUT	49	50	FREQ_OUT

**Figure B-1.** 50-Pin Connector Pin Assignments



---

# Common Questions

This appendix contains a list of commonly asked questions and their answers relating to usage and special features of the device.

## General Information

---

### What is the DAQ-STC?

The DAQ-STC is the system timing control application-specific integrated circuit (ASIC) designed by NI and is the backbone of the E Series devices. The DAQ-STC contains seven 24-bit counters and three 16-bit counters. The counters are divided into the following three groups:

- AI—two 24-bit, two 16-bit counters
- AO—three 24-bit, one 16-bit counters
- GPCTR—two 24-bit counters

You can independently configure the groups with timing resolutions of 50 ns or 10  $\mu$ s. With the DAQ-STC, you can interconnect a wide variety of internal timing signals to other internal blocks. The interconnection scheme is flexible and software configurable. Capabilities such as buffered pulse generation, equivalent time sampling, and seamlessly changes to the sampling rate are possible.

### What does sampling rate mean to me?

Sampling rate is the fastest you can acquire data on the device and still achieve accurate results. For example, the PCI-6052E has a sampling rate of 333 kS/s. This sampling rate is aggregate: one channel at 333 kS/s or two channels at 166.5 kS/s per channel illustrates the relationship. The PCI-6052E has settling times that vary with gain and accuracy. Refer to Appendix A, *Specifications*, for exact specifications.

### What type of +5 V protection do the PCI-6052E, PXI-6052E, and DAQPad-6052E have?

The PCI-6052E, PXI-6052E, and DAQPad-6052E have +5 V lines equipped with a self-resetting 1 A fuse.

## Installing and Configuring the Device

---

### **How do you set the base address for a PCI-6052E or PXI-6052E?**

The base address of the PCI-6052E and PXI-6052E is automatically assigned through the PCI bus protocol. This assignment is completely transparent to you.

### **What jumpers should I be aware of when configuring the device?**

The PCI-6052E, PXI-6052E, and DAQPad-6052E are jumperless and switchless.

### **Which NI document should I read first to get started using DAQ software?**

The *DAQ Quick Start Guide* and the NI-DAQ documentation or ADE release notes are good places to start.

### **What version of NI-DAQ must I have to program the device?**

You must have NI-DAQ version 6.5 or later for the PCI-6052E. The PXI-6052E requires NI-DAQ version 6.6 or later. The DAQPad-6052E requires version 6.9.2 or later. You can download NI-DAQ from the NI Web site at [ni.com/download](http://ni.com/download).

### **What is FireWire?**

FireWire and IEEE 1394 are the same thing. FireWire was the original name when the technology was developed by Apple. Later, Apple turned over the specification to the IEEE for standardization.

### **Can I use a 400 Mb/s 1394 device with a 100 Mb/s device?**

Yes. The bus, however, slows to the slowest speed. The 400 Mb/s 1394 device operates faster if the 100 Mb/s device is removed from the bus.

### **How many devices can I hook up to a 1394 bus?**

Up to 64 devices, including the PC, can attach to a single 1394 bus. NI-DAQ supports up to 64 DAQ devices attached to a 1394 bus.

### **Can I connect the 1394 bus any way I want?**

No. You cannot have cycles in the bus cabling, and you must have fewer than 16 hops between devices.

### What can I do to optimize the performance of the 1394 device?

There are several things you can do to optimize the performance of the 1394 device. First, try to keep the bus running at the fastest speed possible by attaching only devices that are at least as fast as the 1394 device. If a 200 Mb/s device is added to the bus with the 400 Mb/s DAQ device, the entire bus slows to 200 Mb/s. Second, minimize the maximum number of hops between the devices on the bus. The more hops you have, the slower the bus runs. Finally, remember there is only a limited amount of bandwidth available on the bus. If you stream digital video (DV) at 20 Mb/s, you decrease the device performance.

### Will 1394 DAQ work with Windows 95?

No. Microsoft and NI do *not* support Windows 95 used with 1394. However, Microsoft and NI do support Windows 2000/XP/Me/98 used with 1394.

### How do I use the NI 6052E with the C API in NI-DAQ?

The *NI-DAQ User Manual for PC Compatibles* contains example code and describes the general programming flow when using the NI-DAQ C API. For a list of functions that support the NI 6052E, refer to the *NI-DAQ Function Reference Help* (NI-DAQ 6.7 or later) or the *NI-DAQ Function Reference Manual for PC Compatibles* (NI-DAQ 6.6 or earlier).

Refer to [ni.com/manuals](http://ni.com/manuals) for the *NI-DAQ User Manual for PC Compatibles*, and refer to [ni.com/downloads](http://ni.com/downloads) to download the version of NI-DAQ that your application requires. Refer to [ni.com/manuals](http://ni.com/manuals) to download the *NI-DAQ Function Reference Manual* or go to **Start»Programs»National Instruments»NI-DAQ»NI-DAQ Help** to access the *NI-DAQ Function Reference Help*.

The NI 6052E is only supported by the LabVIEW API on the Mac OS.

### What is the best way to test the NI 6052E without programming the device?

If you are using Windows, Measurement & Automation Explorer (MAX) has a Test Panel option that is available by selecting **Devices and Interfaces** and then selecting the device. The Test Panels are excellent tools for performing simple functional tests of the device, such as AI, DIO, and counter/timer tests. If you are using Mac OS, the NI-DAQ Configuration Utility provides the same functionality.

# Analog Input and Output

---

**I'm using my device in DIFF mode, and I have connected a differential signal, but my readings are random and drift rapidly. What's wrong?**

Check the ground reference connections. The signal can be referenced to a level that is considered *floating* with reference to the device ground reference. Even if you are in differential mode, the signal *must* still be referenced to the same ground level as the device reference. There are various methods of achieving this while maintaining a high CMRR. These methods are outlined in Chapter 4, [Connecting the Signals](#).

**I am seeing crosstalk or ghost voltages when sampling multiple channels. What does this mean?**

You may be experiencing a phenomenon called *charge injection*, which occurs when you sample a series of high-output impedance sources with a multiplexer. Multiplexers contain switches, usually made of switched capacitors. When a channel—for example ACH0—is selected in a multiplexer, those capacitors accumulate charge. When the next channel, for example ACH1, is selected, the accumulated current, or charge, leaks backward through that channel. If the output impedance of the source connected to ACH1 is high enough, the resulting reading can somewhat reflect the voltage trends in ACH0. To circumvent this problem, you must use a voltage follower that has operational amplifiers (op-amps) with unity gain for each high-impedance source before connecting to the DAQ device. Otherwise, decrease the rate at which you sample each channel.

Another common cause of channel crosstalk is due to sampling among multiple channels at various gains. In this situation, the settling times can increase. For more information on charge injection and sampling channels at different gains, refer to the [Multiple-Channel Scanning Considerations](#) section of Chapter 3, [Hardware Overview](#).

**I'm using the DACs to generate a waveform, but I discovered with a digital oscilloscope that there are glitches on the output signal. Is this normal?**

When a DAC switches from one voltage to another, it produces glitches due to released charges. The largest glitches occur when the most significant bit (MSB) of the D/A code switches. You can build a low-pass deglitching filter to remove some of these glitches, depending on the frequency and nature of the output signal. Refer to the [Analog Output Reglitch](#) section of Chapter 3, [Hardware Overview](#), for more information about reglitching.



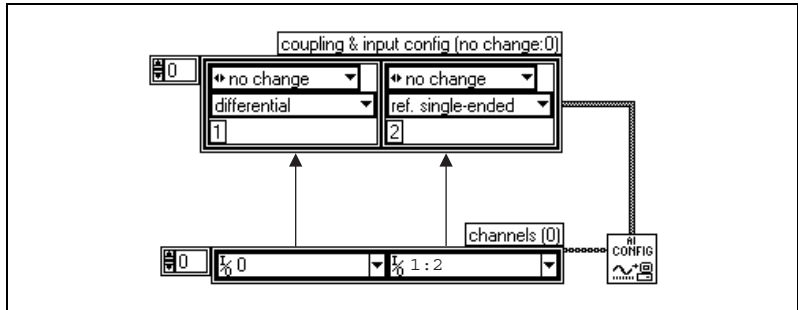
### Can I synchronize a one-channel AI data acquisition with a one-channel AO waveform generation on the device?

Yes. Use the waveform-generation timing pulses to control the AI data acquisition. To do this, follow steps 1 through 4, in addition to the usual steps for data acquisition and waveform generation configuration.

1. Enable the PFI5 line for output, as follows:
  - If you are using NI-DAQ, call `Select_Signal(deviceNumber, ND_PFI_5, ND_OUT_UPDATE, ND_HIGH_TO_LOW)`.
  - If you are using LabVIEW, invoke the Route Signal VI with signal name set to PFI5 and signal source set to AO Update.
2. Set up the acquisition timing so that the timing signal for A/D conversion comes from PFI5, as follows:
  - If you are using NI-DAQ, call `Select_Signal(deviceNumber, ND_IN_CONVERT, ND_PFI_5, ND_HIGH_TO_LOW)`.
  - If you are using LabVIEW, invoke the AI Clock Config VI with clock source code set to PFI pin, high to low, and clock source string set to 5.
3. Initiate AI data acquisition, which starts when the AO waveform generation starts.
4. Initiate AO waveform generation.

### Can I programmatically enable channels on the NI 6052E to acquire in different modes? For example, can I configure ACH 0 in DIFF input mode and ACH1 in RSE input mode?

You can enable channels on the NI 6052E to acquire in different modes, but different pairs of channels are used in different modes. In the example configuration given above, ACH0 and ACH8 are configured in DIFF mode and ACH1 and AIGND are configured in RSE mode. In this configuration, ACH8 is not used in a single-ended configuration. To enable multiple mode scanning in LabVIEW, use the coupling and input configuration cluster input of the AI Config VI. This input has a one-to-one correspondence with the channel array input of the AI Config VI. You must list all channels either individually or in groups of channels with the same input configuration. For example, if you want ACH0 to be in DIFF mode, and ACH1 and ACH2 to be in RSE mode, Figure C-1 demonstrates how to program this configuration in LabVIEW.



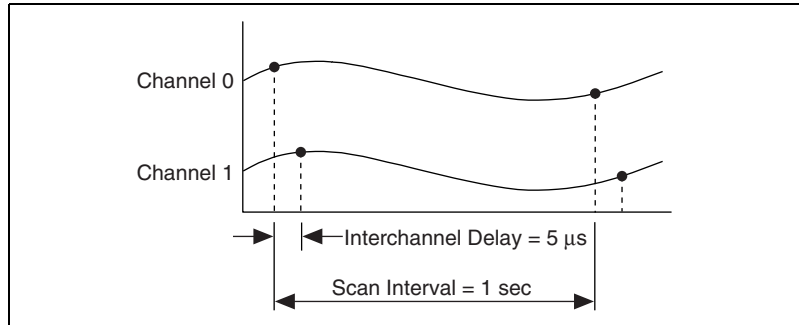
**Figure C-1.** Configuring Channels for Different Acquisition Modes in LabVIEW

To enable multiple mode scanning in using NI-DAQ functions, call the AI\_Configure function for each channel.

**How can I use the STARTSCAN and CONVERT\* signals on the NI 6052E device to sample the AI channel(s)?**

NI E Series devices use the STARTSCAN and CONVERT\* signals to perform interval sampling. As Figure C-2 shows, STARTSCAN controls the scan interval, which is determined by the following equality:

$$\frac{1}{scan\ interval} = scan\ rate$$



**Figure C-2.** Interchannel Delay and Scan Interval

CONVERT\* controls the interchannel delay, which is determined by the following equality:

$$\frac{1}{\text{interchannel delay}} = \text{sampling rate}$$

This method allows multiple channels to be sampled relatively quickly in relationship to the overall scan rate, providing a nearly simultaneous effect with a fixed delay between channels.

## Timing and Digital I/O

### What types of triggering can be hardware-implemented on my device?

Digital triggering and analog triggering are both hardware-supported.

### What added functionality does the DAQ-STC make possible in contrast to the Am9513?

The DAQ-STC incorporates much more than just 10 Am9513-style counters within one chip. In fact, the DAQ-STC has the complexity of more than 24 chips. The DAQ-STC makes possible PFI lines, analog triggering, selectable logic level, and frequency shift keying. The DAQ-STC also makes buffered operations possible, such as direct up/down control, single or pulse train generation, equivalent time sampling, buffered period, and buffered semiperiod measurement.

### What is the difference in timebases between the Am9513 counter/timer and the DAQ-STC?

The DAQ-STC-based MIO devices have a 20 MHz timebase.  
The Am9513-based MIO devices have a 1 or 5 MHz timebase.

**Do the counter/timer applications that I previously wrote work with the DAQ-STC?**

If you are using NI-DAQ with LabVIEW, some of your applications drawn using the CTR VIs do still run. However, there are many differences in the counters between the E Series and other devices. The counter numbers are different, timebase selections are different, and the DAQ-STC counters are 24-bit counters (unlike the 16-bit counters on devices without the DAQ-STC).

If you are using NI-DAQ or Measurement Studio, the counter/timer applications that you wrote previously do not work with the DAQ-STC. You must use the GPCTR functions. ICTR and CTR functions do not work with the DAQ-STC. The GPCTR functions have the same capabilities as the ICTR and CTR functions, plus more, but you must rewrite the application with the GPCTR function calls.

**I'm using one of the general-purpose counter/timers on my E Series device, but I do not see the counter/timer output on the I/O connector. What am I doing wrong?**

If you are using NI-DAQ or Measurement Studio, you must configure the output line to output the signal to the I/O connector. Use the `Select_Signal` call in NI-DAQ to configure the output line. By default, all timing I/O lines except EXTSTROBE\* are high-impedance.

**What are the PFIs and how do I configure these lines?**

PFIs are programmable function inputs. These lines serve as connections to virtually all internal timing signals.

If you are using NI-DAQ or Measurement Studio, use the `Select_Signal` function to route internal signals to the I/O connector, route external signals to internal timing sources, or tie internal timing signals together.

If you are using NI-DAQ with LabVIEW and you want to connect external signal sources to the PFI lines, you can use AI Clock Config, AI Trigger Config, AO Clock Config, AO Trigger and Gate Config, and Counter Set Attribute advanced level VIs to indicate which function the connected signal serves. Use the Route Signal VI to enable the PFI lines to output internal signals.

**Table C-1.** Signal Name Equivalencies

Hardware Signal Name	LabVIEW Route Signal	NI-DAQ Select_Signal
TRIG1	AI Start Trigger	ND_IN_START_TRIGGER
TRIG2	AI Stop Trigger	ND_IN_STOP_TRIGGER
STARTSCAN	AI Scan Start	ND_IN_SCAN_START
SISOURCE	—	ND_IN_SCAN_CLOCK_TIMEBASE
CONVERT*	AI Convert	ND_IN_CONVERT
AIGATE	—	ND_IN_EXTERNAL_GATE
WFTRIG	AO Start Trigger	ND_OUT_START_TRIGGER
UPDATE*	AO Update	ND_OUT_UPDATE
UISOURCE	—	ND_OUT_UPDATE_CLOCK_TIMEBASE
AOGATE	—	ND_OUT_EXTERNAL_GATE



**Caution** If you enable a PFI line for output, do *not* connect any external signal source to it. If you do, you can damage the device, the computer, and the connected equipment.

### What are the power-on states of the PFI and DIO lines on the I/O connector?

At system power-on and reset, both the PFI and DIO lines are set to high impedance by the hardware. This means that the device circuitry is not actively driving the output either high or low. However, these lines can have pull-up or pull-down resistors connected to them as shown in Table 4-2, *I/O Connector Signal Descriptions*, and Table 4-3, *I/O Signal Summary*. These resistors weakly pull the output to either a logic-high or logic-low state. For example, DIO(0) is in the high-impedance state after power on, and Table 1-2, *Pins Used by the NI PXI-6052E*, shows that there is a 50 k $\Omega$  pull-up resistor. This pull-up resistor sets the DIO(0) pin to a logic high when the output is in a high-impedance state.

---

# Technical Support and Professional Services

Visit the following sections of the National Instruments Web site at [ni.com](http://ni.com) for technical support and professional services:

- **Support**—Online technical support resources include the following:
  - **Self-Help Resources**—For immediate answers and solutions, visit our extensive library of technical support resources available in English, Japanese, and Spanish at [ni.com/support](http://ni.com/support). These resources are available for most products at no cost to registered users and include software drivers and updates, a KnowledgeBase, product manuals, step-by-step troubleshooting wizards, hardware schematics and conformity documentation, example code, tutorials and application notes, instrument drivers, discussion forums, a measurement glossary, and so on.
  - **Assisted Support Options**—Contact NI engineers and other measurement and automation professionals by visiting [ni.com/ask](http://ni.com/ask). Our online system helps you define your question and connects you to the experts by phone, discussion forum, or email.
- **Training**—Visit [ni.com/custed](http://ni.com/custed) for self-paced tutorials, videos, and interactive CDs. You also can register for instructor-led, hands-on courses at locations around the world.
- **System Integration**—If you have time constraints, limited in-house technical resources, or other project challenges, NI Alliance Program members can help. To learn more, call your local NI office or visit [ni.com/alliance](http://ni.com/alliance).

If you searched [ni.com](http://ni.com) and could not find the answers you need, contact your local office or NI corporate headquarters. Phone numbers for our worldwide offices are listed at the front of this manual. You also can visit the Worldwide Offices section of [ni.com/niglobal](http://ni.com/niglobal) to access the branch office Web sites, which provide up-to-date contact information, support phone numbers, email addresses, and current events.

# Glossary

---

Prefix	Meanings	Value
n-	nano-	$10^{-9}$
$\mu$ -	micro-	$10^{-6}$
m-	milli-	$10^{-3}$
k-	kilo-	$10^3$
M-	mega-	$10^6$
G-	giga-	$10^9$

## Numbers/Symbols

%	percent
+	positive of, or plus
-	negative of, or minus
>	greater than
$\geq$	greater than or equal to
<	less than
$\leq$	less than or equal to
/	per
$^{\circ}$	degree
$\Omega$	ohm
$\sqrt{\quad}$	square root of
+5V	+5 VDC source signal

## A

A	amperes
A/D	analog-to-digital
AC	alternating current
ACH	analog input channel signal
ActiveX controls	a special form of Automation Object. ActiveX Controls are similar to Visual Basic custom controls (VBXs), but their architecture is based on OLE; ActiveX Controls can be freely plugged into any OLE-enabled development tool, application, or Web browser
ADC	analog-to-digital converter—an electronic device, often an integrated circuit, that converts an analog voltage to a digital number
ADE	application development environment—an application designed to make it easier for a user to develop software
AI	analog input
AIGATE	analog input gate signal
AIGND	analog ground signal
AISENSE	analog sense signal
ANSI	American National Standards Institute
AO	analog output
AOGND	analog output ground signal
ASIC	Application-Specific Integrated Circuit—a proprietary semiconductor component designed and manufactured to perform a set of specific functions for a specific customer



**B**

bipolar	a signal range that includes both positive and negative values (for example, -5 V to +5 V)
BNC	coaxial connector
buffer	temporary storage for acquired or generated data (software)
bus	the group of conductors that interconnect individual circuitry in a computer. Typically, a bus is the expansion vehicle to which I/O or other devices are connected. An examples of a PC bus is the PCI bus.

**C**

C	Celsius
CalDAC	calibration DAC
CH	channel—pin or wire lead to which you apply or from which you read the analog or digital signal. Analog signals can be single-ended or differential. For digital signals, you group channels to form ports. Ports usually consist of either four or eight digital channels.
channel rate	reciprocal of the interchannel delay
clock	hardware component that controls timing for reading from or writing to groups
cm	centimeter
CMOS	complementary metal-oxide semiconductor
CMRR	common-mode rejection ratio—a measure of the ability of an instrument to reject interference from a common-mode signal, usually expressed in decibels (dB)
common-mode noise	unwanted signals that appear in equal phase and amplitude on both the inverting and noninverting input in a differential measurement system. Ideally, but not completely in practice, the measurement device ignores this noise, because the measurement device is designed to respond to the difference between the inverting and noninverting inputs.
CONVERT*	convert signal

counter/timer	a circuit that counts external pulses or clock pulses (timing)
CTR	counter
<b>D</b>	
D/A	digital-to-analog
DAC	digital-to-analog converter—an electronic device, often an integrated circuit, that converts a digital number into a corresponding analog voltage or current
DAC0OUT	analog channel 0 output signal
DAC1OUT	analog channel 1 output signal
DAQ	data acquisition—(1) collecting and measuring electrical signals from sensors, transducers, and test probes or fixtures and inputting them to a computer for processing; (2) collecting and measuring the same kinds of electrical signals with A/D and/or DIO devices plugged into a computer, and possibly generating control signals with D/A and/or DIO devices in the same computer
DAQ-STC	data acquisition system timing controller chip
dB	decibel—the unit for expressing a logarithmic measure of the ratio of two signal levels: $\text{dB} = 20\log_{10} (V_1/V_2)$ , for signals in volts
DC	direct current
DGND	digital ground signal
DIFF	differential mode
differential input	an analog input consisting of two terminals, both of which are isolated from computer ground, whose difference is measured
DIO	digital input/output
DIP	dual inline package
dithering	the addition of Gaussian noise to an analog input signal

DMA	direct memory access—a method by which data can be transferred to/from computer memory from/to a device or memory on the bus while the processor does something else. DMA is the fastest method of transferring data to/from computer memory.
DNL	differential nonlinearity—a measure in least significant bit of the worst-case deviation of code widths from their ideal value of 1 LSB
DO	digital output
<b>E</b>	
EEPROM	electrically erasable programmable read-only memory—ROM that can be erased with an electrical signal and reprogrammed
EXTREF	external reference signal
EXTSTROBE	external strobe signal
<b>F</b>	
F	farads
FIFO	first-in first-out memory buffer—the first data stored is the first data sent to the acceptor. FIFOs are often used on DAQ devices to temporarily store incoming or outgoing data until that data can be retrieved or output. For example, an analog input FIFO stores the results of A/D conversions until the data can be retrieved into system memory, a process that requires the servicing of interrupts and often the programming of the DMA controller. This process can take several milliseconds in some cases. During this time, data accumulates in the FIFO for future retrieval. With a larger FIFO, longer latencies can be tolerated. In the case of analog output, a FIFO permits faster update rates, because the waveform data can be stored on the FIFO ahead of time. This again reduces the effect of latencies associated with getting the data from system memory to the DAQ device.
floating signal sources	signal sources with voltage signals that are not connected to an absolute reference or system ground. Also called nonreferenced signal sources. Some common example of floating signal sources are batteries, transformers, or thermocouples.
FREQ_OUT	frequency output signal

FS floating source

ft feet

## G

GPCTR0\_GATE general purpose counter 0 gate signal

GPCTR0\_OUT general purpose counter 0 output signal

GPCTR0\_SOURCE general purpose counter 0 clock source signal

GPCTR0\_UP\_DOWN general purpose counter 0 up down

GPCTR1\_GATE general purpose counter 1 gate signal

GPCTR1\_OUT general purpose counter 1 output signal

GPCTR1\_SOURCE general purpose counter 1 clock source signal

GPCTR1\_UP\_DOWN general purpose counter 1 up down

GS grounded source

## H

Hz hertz—the number of scans read or updates written per second

hysteresis lag between making a change and the effect of the change

## I

I/O input/output—the transfer of data to/from a computer system involving communications channels, operator interface devices, and/or data acquisition and control interfaces

$I_{OH}$  current, output high

$I_{OL}$  current, output low

INL integral nonlinearity—a measure in LSB of the worst-case deviation from the ideal A/D or D/A transfer characteristic of the analog I/O circuitry

interchannel delay      amount of time that passes between sampling consecutive channels. The interchannel delay must be short enough to allow sampling of all the channels in the channel list, within the scan interval. The greater the interchannel delay, the more time the PGIA is allowed to settle before the next channel is sampled. The interchannel delay is regulated by the CONVERT\* signal.

## L

LED      light emitting diode—used to indicate device status

LSB      least significant bit

## M

m      meters

MB      megabytes of memory

MIO      multifunction I/O

MITE      MXI Interface to Everything—a custom ASIC designed by National Instruments that implements the PCI bus interface. The MITE supports bus mastering for high-speed data transfers over the PCI bus.

MSB      most significant bit

mux      multiplexer—a switching device with multiple inputs that sequentially connects each of its inputs to its output, typically at high speeds, in order to measure several signals with a single analog input channel

## N

NC      normally closed, or not connected

NI      National Instruments

NI-DAQ      National Instruments driver software for DAQ hardware

noise	an undesirable electrical signal—noise comes from external sources such as the AC power line, motors, generators, transformers, fluorescent lights, soldering irons, CRT displays, computers, electrical storms, welders, radio transmitters, and internal sources such as semiconductors, resistors, and capacitors. Noise corrupts signals you are trying to send or receive.
nonreferenced signal sources	signal sources with voltage signals that are not connected to an absolute reference or system ground. Also called floating signal sources. Some common example of nonreferenced signal sources are batteries, transformers, or thermocouples.
NRSE	nonreferenced single-ended mode—all measurements are made with respect to a common (NRSE) measurement system reference, but the voltage at this reference can vary with respect to the measurement system ground

## O

OUT	output pin—a counter output pin where the counter can generate various TTL pulse waveforms
-----	--

## P

PCI	Peripheral Component Interconnect—a high-performance expansion bus architecture originally developed by Intel to replace ISA and EISA. It is achieving widespread acceptance as a standard for PCs and work-stations; it offers a theoretical maximum transfer rate of 132 Mbytes/s.
PFI	programmable function input
PFI0/TRIG1	PFI0/trigger 1
PFI1/TRIG2	PFI1/trigger 2
PFI2/CONVERT*	PFI2/convert
PFI3/GPCTR1_SOURCE	PFI3/general purpose counter 1 source
PFI4/GPCTR1_GATE	PFI4/general purpose counter 1 gate
PFI5/UPDATE*	PFI5/update

PFI6/WFTRIG	PFI6/waveform trigger
PFI7/STARTSCAN	PFI7/start of scan
PFI8/GPCTR0_ SOURCE	PFI8/general purpose counter 0 source
PFI9/GPCTR0_ GATE	PFI9/general purpose counter 0 gate
PGIA	programmable gain instrumentation amplifier
port	(1) a communications connection on a computer or a remote controller (2) a digital port, consisting of four or eight lines of digital input and/or output
ppm	parts per million
pu	pull-up
PXI	PCI eXtensions for Instrumentation—a rugged, open system for modular instrumentation based on CompactPCI, with special mechanical, electrical, and software features. The PXIbus standard was originally developed by National Instruments in 1997, and it is now managed by the PXIbus Systems Alliance.

## R

referenced signal sources	signal sources with voltage signals that are referenced to a system ground, such as the earth or a building ground. Also called grounded signal sources.
reglitch	circuitry used on analog outputs to generate uniform glitch energy at every code rather than large glitches at the major code transitions. This uniform glitch energy appears as a multiple of the update rate in the frequency spectrum.
rms	root mean square—the square root of the average value of the square of the instantaneous signal amplitude; a measure of signal amplitude
RSE	referenced single-ended mode—all measurements are made with respect to a common reference measurement system or a ground. Also called a grounded measurement system.

RTD	resistance temperature detector—a metallic probe that measures temperature based upon its coefficient of resistivity
RTSI bus	real-time system integration bus—the National Instruments timing bus that connects DAQ devices directly, by means of connectors on top of the devices, for precise synchronization of functions
<b>S</b>	
s	seconds
S	samples
S/s	samples per second—used to express the rate at which a DAQ device samples an analog signal
scan interval	controls how often a scan is initialized and is regulated by the STARTSCAN signal
scan rate	reciprocal of the scan interval
SCANCLK	scan clock signal
SCXI	Signal Conditioning eXtensions for Instrumentation—the National Instruments product line for conditioning low-level signals within an external chassis near sensors so only high-level signals are sent to DAQ devices in the noisy PC environment
settling time	the amount of time required for a voltage to reach its final value within specified limits
signal conditioning	the manipulation of signals to prepare them for digitizing
SISOURCE	SI counter clock signal
source impedance	a parameter of signal sources that reflects current-driving ability of voltage sources (lower is better) and the voltage-driving ability of current sources (higher is better)
STARTSCAN	start scan signal
system noise	a measure of the amount of noise seen by an analog circuit or an ADC when the analog inputs are grounded



**T**

TC	terminal count—the highest value of a counter
$t_{gh}$	gate hold time
$t_{gsu}$	gate setup time
$t_{gw}$	gate pulse width
THD	total harmonic distortion—the ratio of the total rms signal due to harmonic distortion to the overall rms signal, in decibel or a percentage
thermocouple	a temperature sensor created by joining two dissimilar metals. The junction produces a small voltage as a function of the temperature.
TIO	timing input/output
$t_{out}$	output delay time
TRIG	trigger signal
trigger	any event that causes or starts some form of data capture
$t_{sc}$	source clock period
$t_{sp}$	source pulse width
TTL	transistor-transistor logic
two's complement	given a number $x$ expressed in base 2 with $n$ digits to the left of the radix point, the (base 2) number $2^n - x$

**U**

UI	update interval
UISOURCE	update interval counter clock signal
unipolar	a signal range that is always positive (for example, 0 to +10 V)

update the output equivalent of a scan. One or more analog or digital output samples. Typically, the number of output samples in an update is equal to the number of channels in the output group. For example, one pulse from the update clock produces one update which sends one new sample to every analog output channel in the group.

UPDATE update signal

## V

V volts

$V_{CC}$  positive voltage supply

VDC volts direct current

VI virtual instrument—(1) a combination of hardware and/or software elements, typically used with a PC, that has the functionality of a classic stand-alone instrument; (2) a LabVIEW software module (VI), which consists of a front panel user interface and a block diagram program

$V_{IH}$  volts, input high

$V_{IL}$  volts, input low

$V_{in}$  volts in

$V_m$  measured voltage

$V_{OH}$  volts, output high

$V_{OL}$  volts, output low

$V_{out}$  volts out

$V_{ref}$  reference voltage

$V_{rms}$  volts, root mean square

## W

W

watts

waveform

multiple voltage readings taken at a specific sampling rate

WFTRIG

waveform generation trigger signal

# Index

---

## Symbols

- +5V signal
  - description (table), 4-4
  - self-resetting fuse, C-1

## A

- ACH<0..15> signals
  - analog input signal connections, 4-8
  - description (table), 4-3
- ACH<16..63> signals
  - analog input signal connections, 4-8
  - description (table), 4-3
  - I/O signal summary (table), 4-7
- AIGATE signal, 4-33
- AIGND signal
  - analog input signal connections, 4-9
  - description (table), 4-3
  - I/O signal summary (table), 4-7
- AISENSE signal
  - analog input signal connections, 4-9
  - description (table), 4-3
  - I/O signal summary (table), 4-7
  - NRSE mode, 4-9
- AISENSE2 signal
  - analog input signal connections, 4-9
  - description (table), 4-3
  - I/O signal summary (table), 4-7
- analog input
  - See also* analog input modes
  - common questions, C-4
  - input polarity and range, 3-3
    - actual range and measurement precision (table), 3-4
    - considerations for selecting input ranges, 3-4
    - unipolar and bipolar, 3-3
  - multichannel scanning considerations, 3-5
  - signal connections, 4-8
  - specifications, A-1
    - amplifier characteristics, A-3
    - dynamic characteristics, A-4
    - input characteristics, A-1
    - NI 6052E accuracy information, A-2
    - stability, A-5
    - transfer characteristics, A-3
  - types of signal sources, 4-10
    - floating signal sources, 4-10
    - ground-referenced signal sources, 4-10
- analog input modes
  - available input configurations (table), 3-3
  - common-mode signal rejection
    - considerations, 4-19
  - differential connections
    - ground-referenced signal sources, 4-16
    - nonreferenced or floating signal sources, 4-14
  - exceeding input ranges (caution), 4-8
  - overview, 3-2
  - PGIA (figure), 4-9
  - recommended input connections (figure), 4-14
  - single-ended connection, 4-17
    - floating signal sources (RSE configuration), 4-18
    - grounded signal sources (NRSE configuration), 4-18
- analog output
  - common questions, C-4
  - overview, 3-6
  - polarity selection, 3-6
  - reference selection, 3-6
  - reglitch circuitry, 3-6
  - signal connections, 4-20

- specifications, A-5
    - dynamic characteristics, A-7
    - output characteristics, A-5
    - PXI-6052E accuracy
      - information, A-6
    - stability, A-8
    - transfer characteristics, A-6
    - voltage output, A-7
  - analog trigger
    - above-high-level analog triggering mode (figure), 3-8
    - below-low-level analog triggering mode (figure), 3-8
    - block diagram, 3-7
    - crosstalk on PFI0/TRIG1 pin (note), 3-7
    - high-hysteresis analog triggering mode (figure), 3-9
    - inside-region analog triggering mode (figure), 3-8
    - low-hysteresis analog triggering mode (figure), 3-9
    - specifications, A-9
  - AOGND signal
    - analog output signal connections, 4-20
    - description (table), 4-4
    - I/O signal summary (table), 4-7
- B**
- bipolar input, 3-3
  - bipolar output, 3-6
  - block diagram, 3-1
  - bus interface specifications, A-10
- C**
- cables
    - See also* I/O connectors
    - custom cabling, B-1
    - field wiring considerations, 4-44
    - optional equipment, 1-6
  - calibration
    - adjusting gain error, 5-3
    - external calibration, 5-2
    - loading calibration constants, 5-1
    - self-calibration, 5-2
  - charge injection, 3-5
  - clocks, device and RTSI, 3-12
  - commonly asked questions. *See* questions and answers
  - common-mode signal rejection
    - considerations, 4-19
  - Communication LED, 2-4
  - CompactPCI, using with PXI, 1-3
  - configuration
    - common questions, C-2
    - hardware configuration, 2-3
  - connectors. *See* I/O connectors
  - contacting National Instruments, D-1
  - CONVERT\* signal
    - See also* PFI2/CONVERT\* signal
    - DAQ timing connections, 4-32
    - signal routing (figure), 3-11
  - counter/timer applications, C-8
  - custom cabling
  - customer
    - education, D-1
    - professional services, D-1
    - technical support, D-1
- D**
- DAC0OUT signal
    - analog output signal connections, 4-20
    - description (table), 4-3
    - I/O signal summary (table), 4-7
  - DAC1OUT signal
    - analog output signal connections, 4-20
    - description (table), 4-3
    - I/O signal summary (table), 4-7
  - DAQ timing connections
    - AIGATE signal, 4-33

- CONVERT\* signal, 4-32
- EXTSTROBE\* signal, 4-35
- SCANCLK signal, 4-34
- SISOURCE signal, 4-33
- STARTSCAN signal, 4-30
- TRIG1 signal, 4-27
- TRIG2 signal, 4-28
- typical posttriggered acquisition
  - (figure), 4-26
- typical pretriggered acquisition
  - (figure), 4-27
- DAQPad-6052E. *See* NI 6052E devices
- DAQ-STC, C-1
- data acquisition timing connections. *See* DAQ
  - timing connections
- DGND signal
  - description (table), 4-4
  - I/O signal summary (table), 4-7
- diagnostic resources, D-1
- DIFF (differential) input mode
  - description, 4-13
  - when to use, 4-13
- DIFF mode
  - description (table), 3-3
  - recommended configuration
    - (figure), 4-14
- differential connections
  - ground-referenced signal sources, 4-16
  - nonreferenced or floating signal
    - sources, 4-14
- digital I/O
  - common questions, C-7
  - overview, 3-10
  - signal connections, 4-22
  - specifications, A-8
- digital trigger specifications, A-10
- DIO<0..7> signal
  - description (table), 4-4
  - digital I/O signal connections, 4-22
  - external expansion connector, 4-6
  - I/O signal summary (table), 4-7

- documentation
  - online library, D-1
- drivers
  - instrument, D-1
  - software, D-1

## E

- EEPROM storage of calibration constants, 5-1
- environmental noise, 4-44
- equipment, optional, 1-6
- example code, D-1
- EXTREF signal
  - analog output reference selection, 3-6
  - analog output signal connections, 4-20
  - description (table), 4-4
  - I/O signal summary (table), 4-7
- EXTSTROBE\* signal
  - DAQ timing connections, 4-26
  - description (table), 4-4
  - I/O signal summary (table), 4-7

## F

- field wiring considerations, 4-44
- floating signal sources
  - description, 4-10
  - differential connections, 4-14
  - single-ended connections (RSE
    - configuration), 4-17
- FREQ\_OUT signal
  - description (table), 4-5
  - general-purpose timing signal
    - connections, 4-44
  - I/O signal summary (table), 4-8
- frequently asked questions, D-1
- frequently asked questions. *See* questions and
  - answers
- fuse, self-resetting, 4-4, C-1

**G**

gain error, adjusting, 5-3

general-purpose timing signal connections

- FREQ\_OUT signal, 4-44
- GPCTR0\_GATE signal, 4-39
- GPCTR0\_OUT signal, 4-40
- GPCTR0\_SOURCE signal, 4-39
- GPCTR0\_UP\_DOWN signal, 4-40
- GPCTR1\_GATE signal, 4-41
- GPCTR1\_OUT signal, 4-42
- GPCTR1\_SOURCE signal, 4-41
- GPCTR1\_UP\_DOWN signal, 4-43

glitches

- analog output reglitch, 3-6
- waveform generation glitches, C-4

GPCTR0\_GATE signal

- See also* PFI9/GPCTR0\_GATE signal
- general-purpose counter/timer timing summary (figure), 4-43
- general-purpose timing signal connections, 4-39

GPCTR0\_OUT signal

- description (table), 4-5
- general-purpose counter/timer timing summary (figure), 4-43
- general-purpose timing signal connections, 4-38
- I/O signal summary (table), 4-8

GPCTR0\_SOURCE signal

- See also* PFI8/GPCTR0\_SOURCE signal
- general-purpose counter/timer timing summary (figure), 4-43
- general-purpose timing signal connections, 4-39

GPCTR0\_UP\_DOWN signal

- digital I/O, 3-10
- general-purpose timing signal connections, 4-40

GPCTR1\_GATE signal, 4-41

- See also* PFI4/GPCTR1\_GATE signal

- general-purpose counter/timer timing summary (figure), 4-43

GPCTR1\_OUT signal

- description (table), 4-5
- general-purpose counter/timer timing summary (figure), 4-43
- general-purpose timing signal connections, 4-38
- I/O signal summary (table), 4-8

GPCTR1\_SOURCE signal

- See also* PFI3/GPCTR1\_SOURCE signal
- general-purpose counter/timer timing summary (figure), 4-43
- general-purpose timing signal connections, 4-41

GPCTR1\_UP\_DOWN signal

- digital I/O, 3-10
- general-purpose timing signal connections, 4-43

ground-referenced signal sources

- description, 4-10
- single-ended connections (NRSE configuration), 4-18

**H**

hardware

- configuration, 2-3
- installation, 2-1

hardware overview

- analog input
  - input mode, 3-3
  - input polarity and range, 3-3
- analog output, 3-6
- block diagram, 3-1
- digital I/O, 3-10
- timing signal routing
  - device and RTSI clocks, 3-12
  - programmable function inputs, 3-11
  - RTSI triggers, 3-13

## help

- professional services, D-1
- technical support, D-1

**I**

## I/O connectors

- connector details (table), 4-1
- exceeding maximum ratings (caution), 4-6
- optional connectors
  - 50-pin connector pin assignments (figure), B-2
- pin assignments (figure)
  - NI 6052E devices, 4-2
  - NI DAQPad-6052E with BNCs, 4-3
- pins used by NI 6052E (table), 4-3
- signal descriptions (table), 4-3
- signal summary (table), 4-7

## input configurations

- differential connections
  - DIFF input configuration, 4-13

input modes. *See* analog input modes

## input polarity and range

- actual range and measurement precision (table), 3-3
- considerations for selecting input ranges, 3-4
- exceeding input ranges (caution), 4-8
- unipolar and bipolar, 3-3

## installation

- common questions, C-2
- hardware, 2-1
- software, 2-1
- unpacking 6052E devices, 2-1

## instrument drivers, D-1

**K**

## KnowledgeBase, D-1

**L**

## LabVIEW application software, 1-4

## LEDs

- Communication LED, 2-4
- Power LED, 2-4

**M**

## Measurement Studio software, 1-4

## multichannel scanning considerations, 3-5

**N**

## National Instruments

- customer education, D-1
- professional services, D-1
- system integration services, D-1
- technical support, D-1
- worldwide offices, D-1

## NI 6052E devices

*See also* hardware overview

- block diagram, 3-1
- features, 1-1
- optional equipment, 1-6
- requirements for getting started, 1-4
- software programming choices
  - National Instruments application software, 1-4
  - NI-DAQ driver software, 1-4
  - using PXI with CompactPCI, 1-3

## NI-DAQ driver software, 1-4

## noise, environmental, 4-44

## NRSE (nonreferenced single-ended) mode

- AISENSE signal, 4-8
- description (table), 3-3
- differential connections, 4-16
- recommended configuration (figure), 4-14
- single-ended connections for ground-referenced signal sources, 4-18



**O**

online technical support, D-1  
 optional equipment, 1-6

**P**

PCI-6052E. *See* NI 6052E devices

PFI0/TRIG1 signal

*See also* TRIG1 signal

description (table), 4-4

false triggering due to crosstalk (note), 3-7

I/O signal summary (table), 4-7

PFI1/TRIG2 signal

*See also* TRIG2 signal

description (table), 4-4

I/O signal summary (table), 4-7

PFI2/CONVERT\* signal

*See also* CONVERT\* signal

description (table), 4-4

I/O signal summary (table), 4-7

PFI3/GPCTR1\_SOURCE signal

*See also* GPCTR1\_SOURCE signal

description (table), 4-5

I/O signal summary (table), 4-7

PFI4/GPCTR1\_GATE signal

*See also* GPCTR1\_GATE signal

description (table), 4-5

I/O signal summary (table), 4-7

PFI5/UPDATE\* signal

*See also* UPDATE\* signal

description (table), 4-5

I/O signal summary (table), 4-8

PFI6/WFTRIG signal

*See also* WFTRIG signal

description (table), 4-5

I/O signal summary (table), 4-8

PFI7/STARTSCAN signal

*See also* STARTSCAN signal

description (table), 4-5

external expansion connector, 4-6

I/O signal summary (table), 4-8

PFI8/GPCTR0\_SOURCE signal

*See also* GPCTR0\_SOURCE signal

description (table), 4-5

I/O signal summary (table), 4-8

PFI9/GPCTR0\_GATE signal

*See also* GPCTR0\_GATE signal

description (table), 4-5

I/O signal summary (table), 4-8

PFI (programmable function inputs)

common questions, C-8

signal routing, 3-10

timing connections, 4-24

PGIA (programmable gain instrumentation amplifier)

analog input connections, 4-8

differential connections

ground-referenced signal sources (figure), 4-16

nonreferenced or floating signal sources, 4-14

single-ended connections

floating signal sources (figure), 4-18

ground-referenced signal sources (figure), 4-19

phone technical support, D-1

physical specifications, A-11

pin assignments. *See* I/O connectors

polarity

input polarity and range, 3-3

output polarity selection, 3-6

posttriggered data acquisition

overview, 4-26

typical acquisition (figure), 4-26

power connections, 4-23

Power LED, 2-4

power requirement specifications, A-11

pretriggered acquisition

overview, 4-26

typical acquisition (figure), 4-27

professional services, D-1  
 programmable function inputs (PFIs), *See*  
 PFIs (programmable function inputs)  
 programmable gain instrumentation amplifier.  
*See* PGIA (programmable gain  
 instrumentation amplifier), 4-8  
 programming examples, D-1  
 PXI, using with CompactPCI, 1-3  
 PXI-6052E. *See* NI 6052E devices, 1-3

## Q

questions and answers  
 analog input and output, C-4  
 general information, C-1  
 installation and configuration, C-2  
 timing and digital I/O, C-7

## R

reference selection, analog output, 3-6  
 referenced single-ended input (RSE). *See* RSE  
 (referenced single-ended) mode  
 reglitch, analog output, 3-6  
 requirements for getting started, 1-4  
 RSE (referenced single-ended) mode  
 description (table), 3-3  
 single-ended connections for floating  
 signal sources, 4-18  
 RTSI clocks, 3-12  
 RTSI triggers  
 overview, 3-13  
 signal connections  
 PCI (figure), 3-13  
 PXI (figure), 3-14  
 specifications, A-10

## S

sampling rate, C-1  
 SCANCLK signal

DAQ timing connections, 4-26  
 description (table), 4-4  
 I/O signal summary (table), 4-7  
 scanning, multichannel, 3-5  
 settling time, in multichannel scanning, 3-5  
 signal connections  
 analog input  
 common-mode signal rejection  
 considerations, 4-19  
 input configurations, 4-11  
 single-ended connection  
 considerations, 4-17  
 types of signal sources, 4-10  
 analog output, 4-20  
 digital I/O, 4-22  
 field wiring considerations, 4-44  
 I/O connectors  
 exceeding maximum ratings  
 (caution), 4-8  
 I/O connector details, 4-1  
 I/O connector signal descriptions  
 (table), 4-3  
 I/O signal summary (table), 4-7  
 pin assignments (figures), 4-2  
 I/O connectors, optional  
 50-pin connector pin assignments  
 (figure), B-2  
 input configurations  
 differential connections  
 DIFF input configuration, 4-13  
 power connections, 4-23  
 timing connections  
 DAQ timing connections, 4-26  
 general-purpose timing signal  
 connections, 4-38  
 programmable function input  
 connections, 4-25  
 waveform generation timing  
 connections, 4-35

- signal sources
  - floating signal sources, 4-10
  - ground-referenced signal sources, 4-10
- single-ended connections
  - floating signal sources (RSE configuration), 4-18
  - grounded signal sources (NRSE configuration), 4-18
  - when to use, 4-17
- SISOURCE signal, 4-33
- software drivers, D-1
- software installation, 2-1
- software programming choices
  - National Instruments application software, 1-4
  - NI-DAQ driver software, 1-4
- specifications
  - analog input
    - amplifier characteristics, A-3
    - dynamic characteristics, A-4
    - input characteristics, A-1
    - NI 6052E accuracy information, A-2
    - stability, A-5
    - transfer characteristics, A-3
  - analog output
    - dynamic characteristics, A-7
    - NI PCI/PXI-6052E and NI DAQPad-6052E accuracy information, A-6
    - output characteristics, A-5
    - stability, A-8
    - transfer characteristics, A-6
    - voltage output, A-7
  - bus interface, A-10
  - digital I/O, A-8
  - physical, A-11
  - power requirement, A-11
  - timing I/O, A-9
- triggers
  - analog trigger, A-9

- digital trigger, A-10
- RTSI trigger, A-10
- STARTSCAN signal, 4-30
  - See also* PFI7/STARTSCAN signal
- support
  - technical, D-1
- system integration services, D-1

## T

- technical support, D-1
- telephone technical support, D-1
- timing connections
  - DAQ timing connections
    - AIGATE signal, 4-33
    - CONVERT\* signal, 4-32
    - EXTSTROBE\* signal, 4-35
    - SCANCLK signal, 4-34
    - SISOURCE signal, 4-33
    - STARTSCAN signal, 4-30
    - TRIG1 signal, 4-27
    - TRIG2 signal, 4-28
    - typical posttriggered acquisition (figure), 4-26
    - typical pretriggered acquisition (figure), 4-27
  - general-purpose timing signal connections
    - FREQ\_OUT signal, 4-44
    - GPCTR0\_GATE signal, 4-39
    - GPCTR0\_OUT signal, 4-40
    - GPCTR0\_SOURCE signal, 4-39
    - GPCTR0\_UP\_DOWN signal, 4-40
    - GPCTR1\_GATE signal, 4-41
    - GPCTR1\_OUT signal, 4-42
    - GPCTR1\_SOURCE signal, 4-41
    - GPCTR1\_UP\_DOWN signal, 4-43
- overview, 4-24
- programmable function input
  - connections, 4-25
- timing I/O connections (figure), 4-25

- waveform generation timing connections
    - UISOURCE signal, 4-35
    - UPDATE\* signal, 4-36
    - WFTRIG signal, 4-35
- timing I/O
  - common questions, C-8
  - specifications, A-9
- timing signal routing
  - CONVERT\* signal routing (figure), 3-11
  - device and RTSI clocks, 3-12
  - programmable function inputs, 3-11
  - RTSI triggers, 3-13
- training
  - customer, D-1
- TRIG1 signal, 4-27
  - See also* PFI0/TRIG1 signal
  - analog triggering, 3-7
- TRIG2 signal, 4-28
  - See also* PFI1/TRIG2 signal
- trigger specifications
  - analog trigger, A-9
  - digital trigger, A-10
  - RTSI trigger, A-10
- triggers
  - analog trigger, 3-7
  - RTSI triggers, 3-13
- troubleshooting resources, D-1

## U

- UISOURCE signal, 4-38
- unipolar input, 3-3
- unpacking 6025E devices, 2-1
- UPDATE\* signal, 4-36
  - See also* PFI5/UPDATE\* signal
- USER1, 4-1
- USER2, 4-1

## V

- VCC signal (table), 4-7
- voltage output specifications, A-7

## W

- waveform generation timing connections
  - UISOURCE signal, 4-38
  - UPDATE\* signal, 4-36
  - WFTRIG signal, 4-35
- waveform generation, glitches in, C-4
- Web
  - professional services, D-1
  - technical support, D-1
- WFTRIG signal, 4-35
  - See also* PFI6/WFTRIG signal
- worldwide technical support, D-1